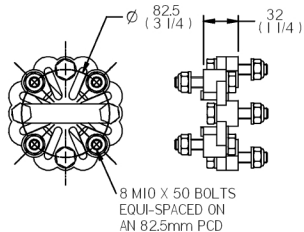
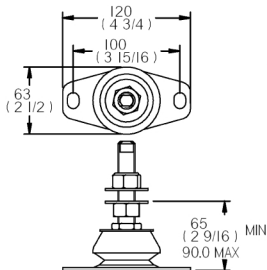


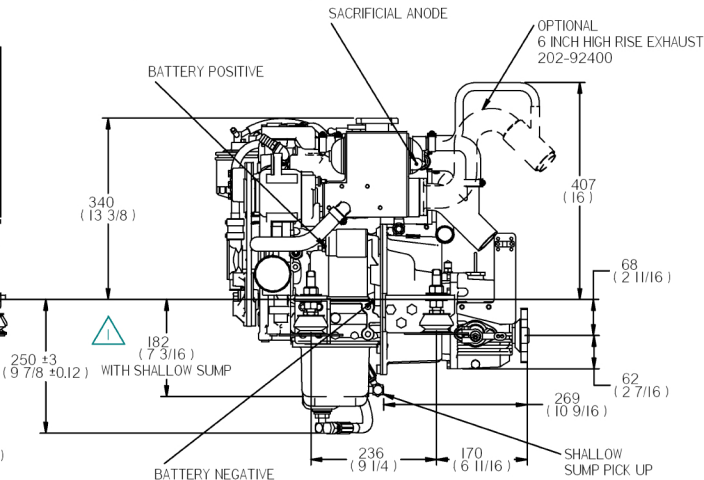
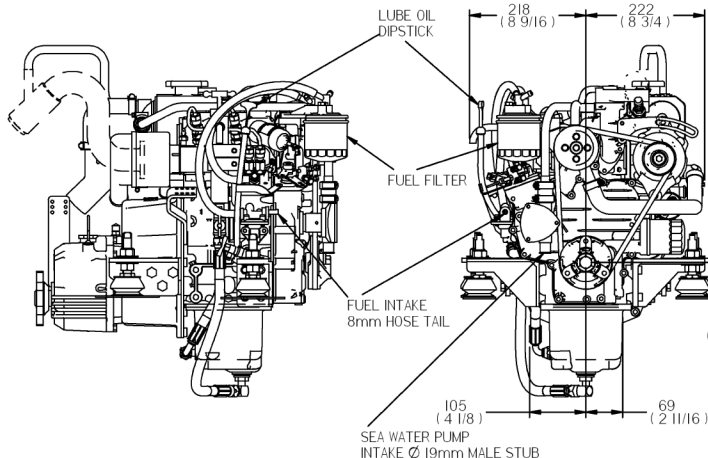
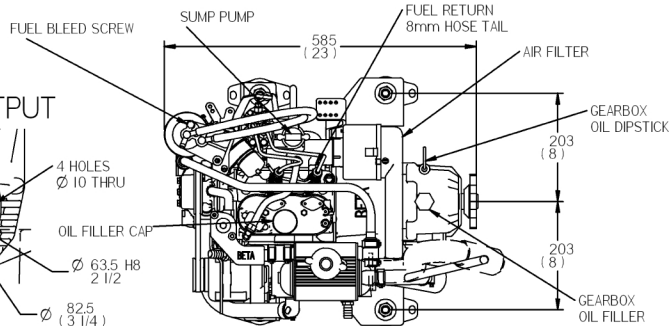
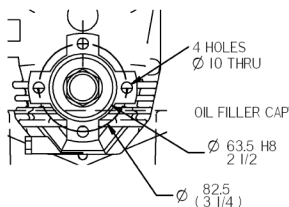
FLEXIBLE COUPLING
DETAILS



FLEXIBLE MOUNT DETAILS



GEARBOX OUTPUT



REV	DESCRIPTION	DATE	APP'D	DRAWN	NOTE
V	N	E	D	N	S

Measurements are in: mm (Inch to the closest 1/16)

TITLE:
**BETA 14 HEAT EXCHANGE TMC40
VEGA FEET**

DIMENSIONS IN MM
DIMENSIONS
SCALE



PART FILE NAME: 100-08420 BZ482 HE TMC40 VEGA FEET.asm

BETA MARINE

TEL: (01452) 723492

FAX: (01452) 729916

BETA MARINE
DUNDEEWAY-
WATERWELLS,
QUEDGELEY,
GLOUCESTER, GL2 3AD, UK

DRAWN BY:
TW

CHECKED BY:
LT

NO: **100-08420**

REV: **02**

SCALE: **S**

PAGE: **1 of 1**

DATE: **12/08/2009**