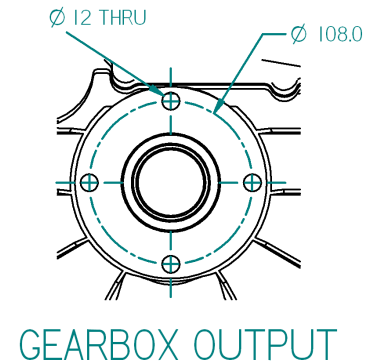
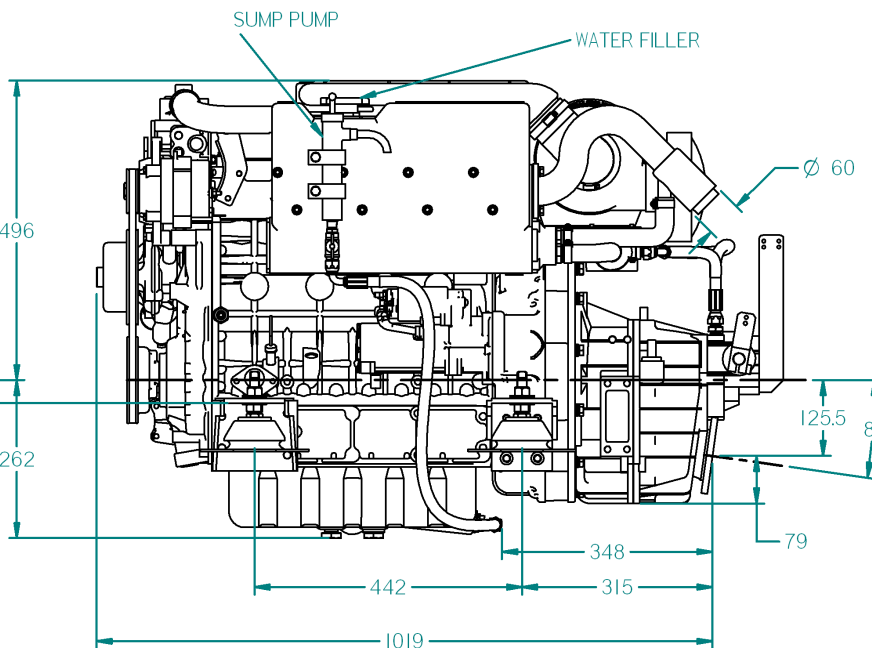
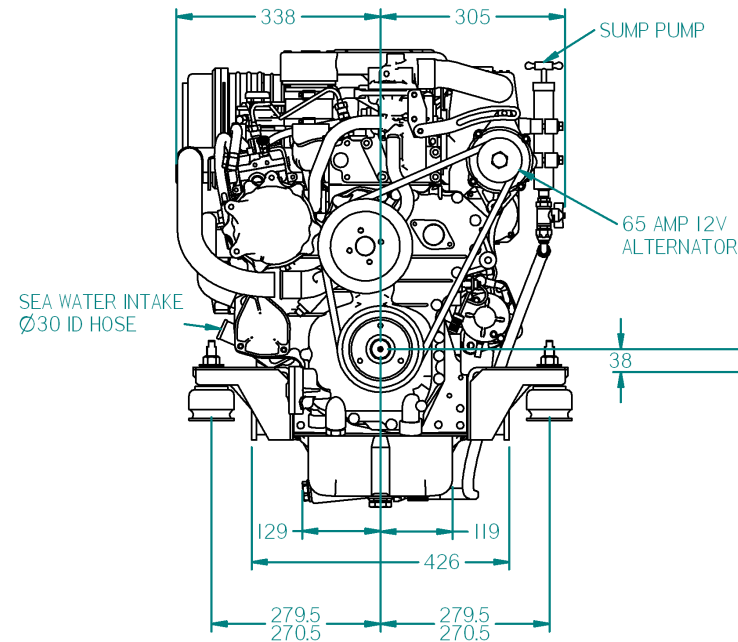
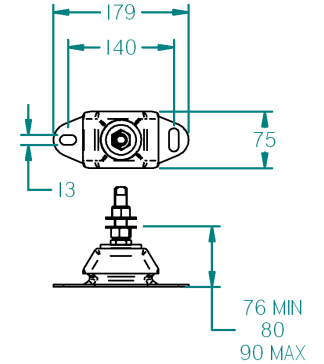


FLEXIBLE MOUNT



REV	DESCRIPTION	DATE	APP'D	DRAWN	NOTES
01					

TITLE:
**BETA 75 & BETA 90 HEAT EXCHANGE
 ZF45A GEARBOX**

DIMENSIONS IN MM (INCH) DO NOT SCALE PART FILE NAME: BETA75 HE ZF45A 100-08815.asm

BETA MARINE

BETA MARINE LTD,
 DAVY WAY,
 WATERWELLS,
 QUEDGELEY,
 GLOUCESTER, GL2 2AD, UK

DRAWN BY: TW	SIZE: A4	DWG NO: 100-08815	REV: 00
CHECKED BY: LT	SCALE: NTS	PAGE: 1 of 1	DATE: 14/03/2011

TEL: (01452) 723492

FAX: (01452) 729916