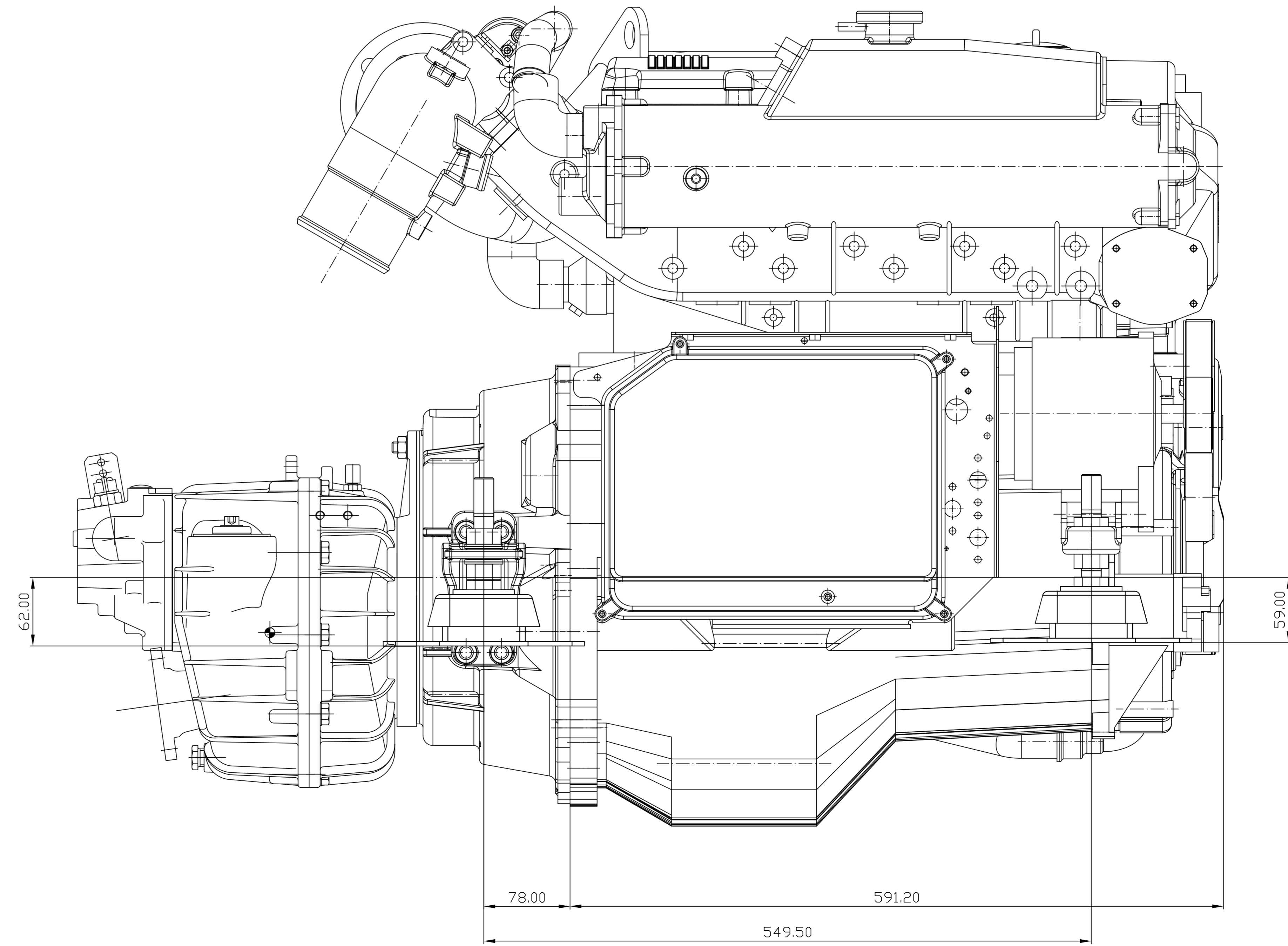
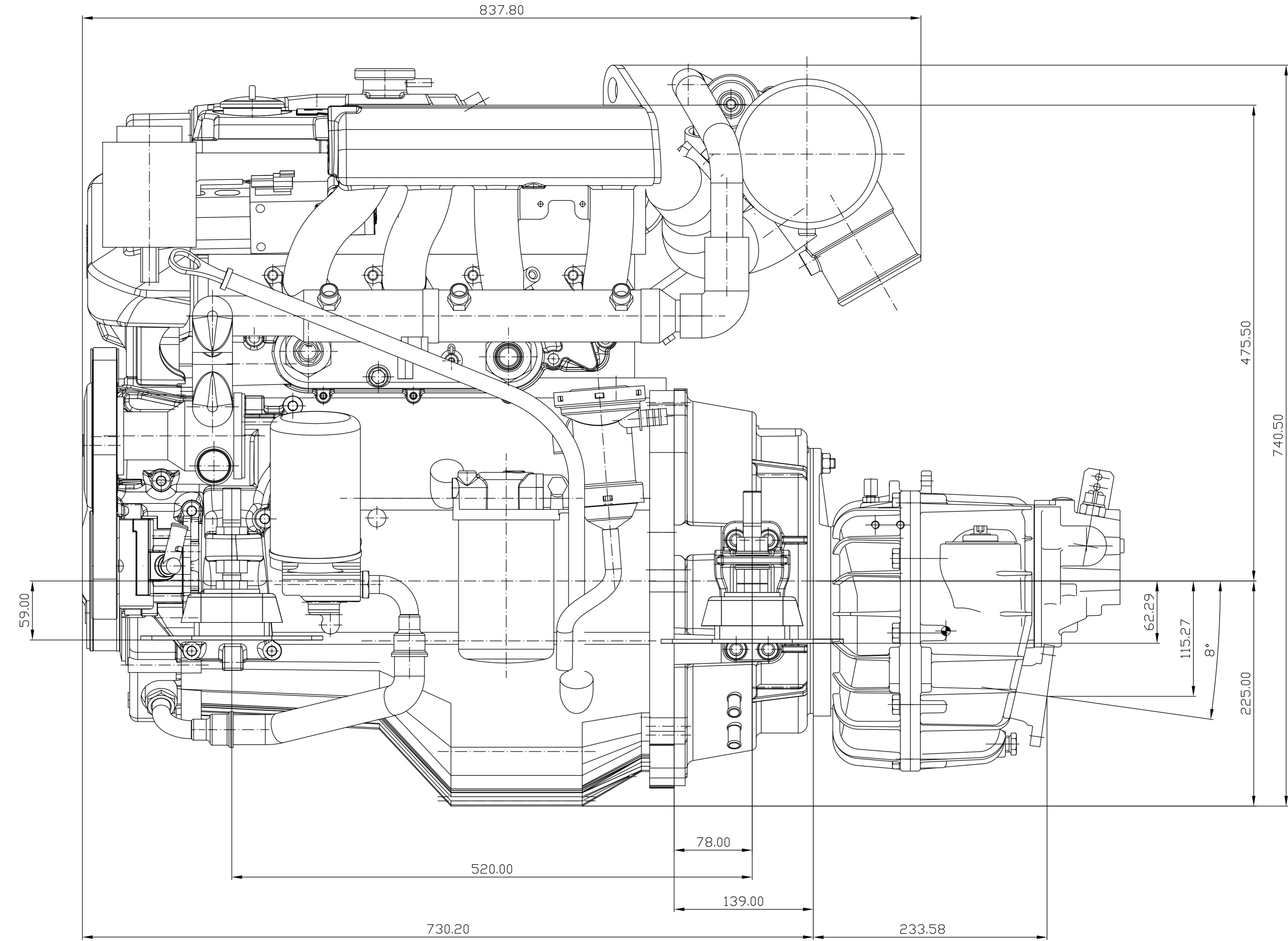
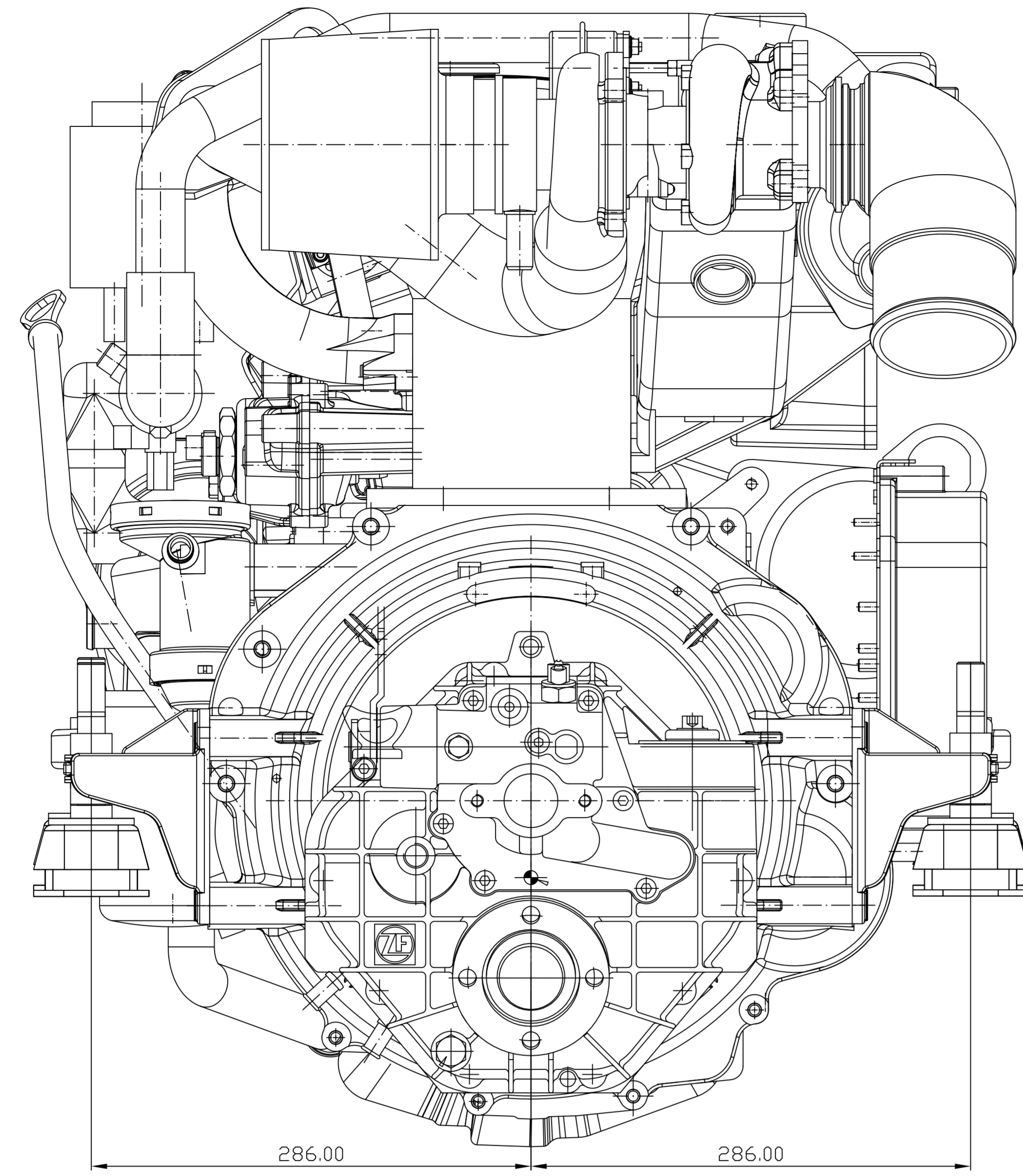


17 16 15 14 13 12 11 10 9 8 7 6 5 4 3 2 1



REV	DESCRIPTION	DATE	BY	CHECKED
1	ISSUE FOR PRODUCTION	2023-03-15	J. SMITH	M. JONES
2	REVISION	2023-04-01	J. SMITH	M. JONES

PROPERTY	STEYRMOTORS
DESIGNER	J. SMITH
CHECKED	M. JONES
DATE	2023-03-15
SCALE	1:1
DRAWING NO.	MDR3K33-1F-G-ZF2SA
PROJECT NO.	20230315-01