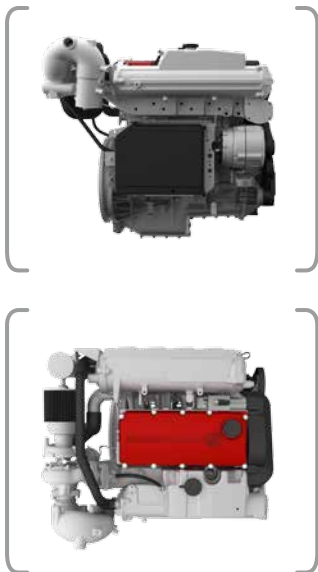
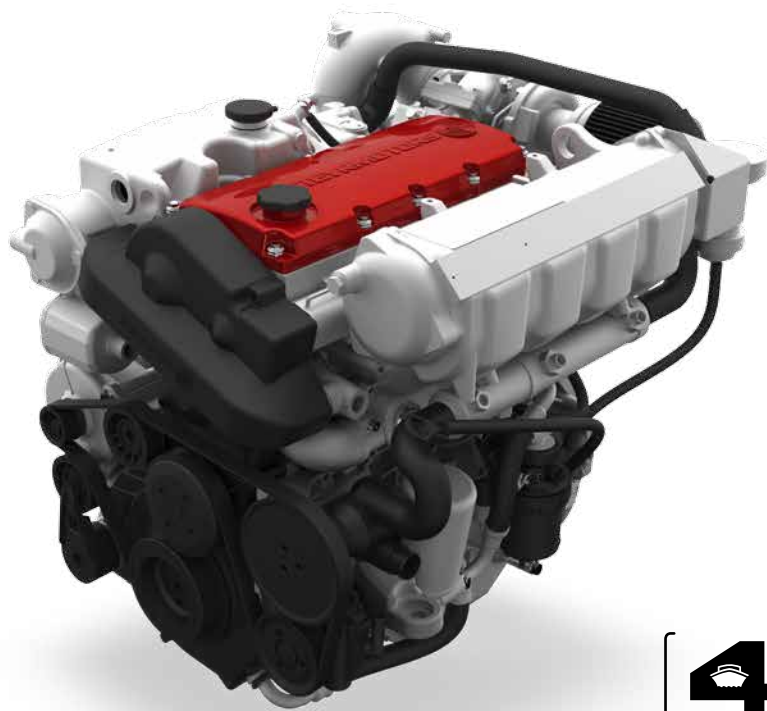


MO 4-CYLINDER MARINE ENGINES

FACTS

- Power range: 55 - 125 kW
- Displacement: 2.1 lt
- Dry weight: 243 - 276 kg



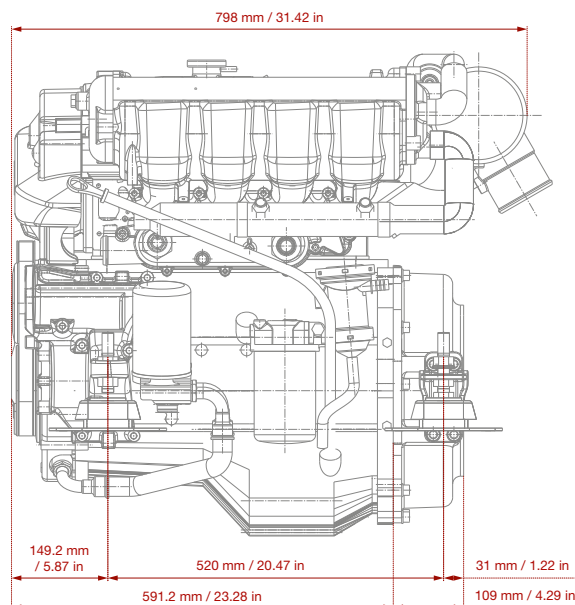
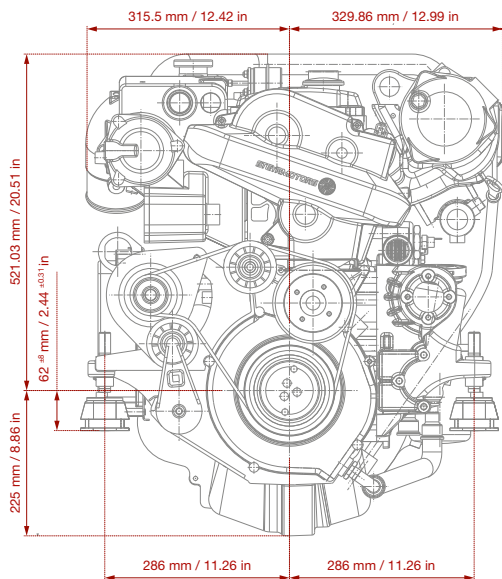
The MO 4-cylinder engine series of STEYR MOTORS comprises long established, globally trusted engines based on the unique Monoblock design with patented 2-stage unit injection technology. Besides an outstanding power to weight ratio, the series' supreme operational safety, robustness and long service life are highly appreciated on the market.

MAIN FEATURES

- Perfectly suited for commercial and leisure applications
- Dual circuit cooling system with corrosion resistant materials
- Excellent performance and highest durability
- Compact and lightweight design
- SOLAS approved, EPA Tier II and RCD compliant
- Different drive systems can be installed
- Standard 12 V alternator, optional 24 V available
- Preparation for keel cooling and many other options & kits available



See more applications on our website or contact us for further references.



	MO84K32	MO94K33	MO114K33	MO144M38	MO164M40	MO174V40
RATED POWER (KW/HP)	55/75	66/90	81/110	106/144	120/163	125/170
RATED SPEED (RPM)	3200	3300	3300	3800	4000	4000
MAX. TORQUE (NM @ RPM)	190 @ 2050	210 @ 2800	255 @ 2500	288 @ 2500	320 @ 2800	330 @ 2000
DRY WEIGHT (KG)	243	243	255	258	258	276
CERTIFICATES	SOLAS, RCD	SOLAS, RCD	SOLAS, RCD, EPA Tier II	SOLAS, RCD, BSO II, EPA Tier II	SOLAS, RCD, BSO II, EPA Tier II	SOLAS, RCD, EPA Tier II
PROPULSION SYSTEMS						
T TRANSMISSION S STERNDRIVE J WATER JET	T J	T J	T J	T J	T J	T S

OVERALL CHARACTERISTICS

- Direct injection Diesel engines
- 4-stroke, turbocharged
- 2.1 lt displacement
- 85 mm bore, 94 mm stroke
- Dual circuit cooling / Fresh water cooling