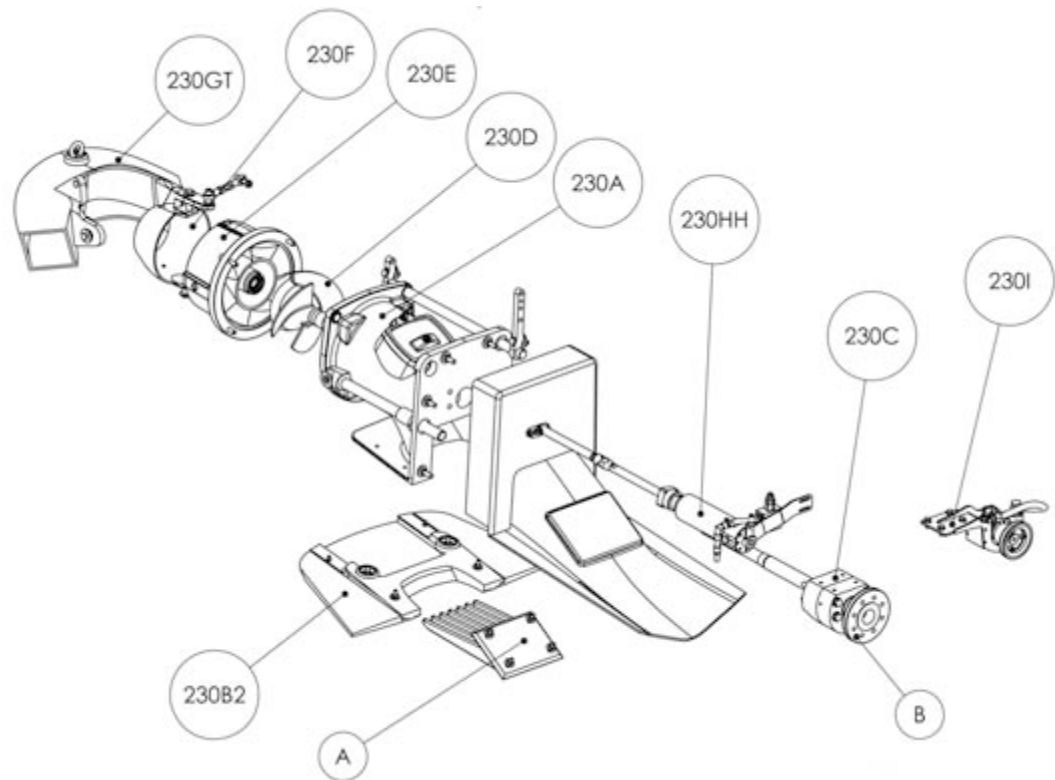


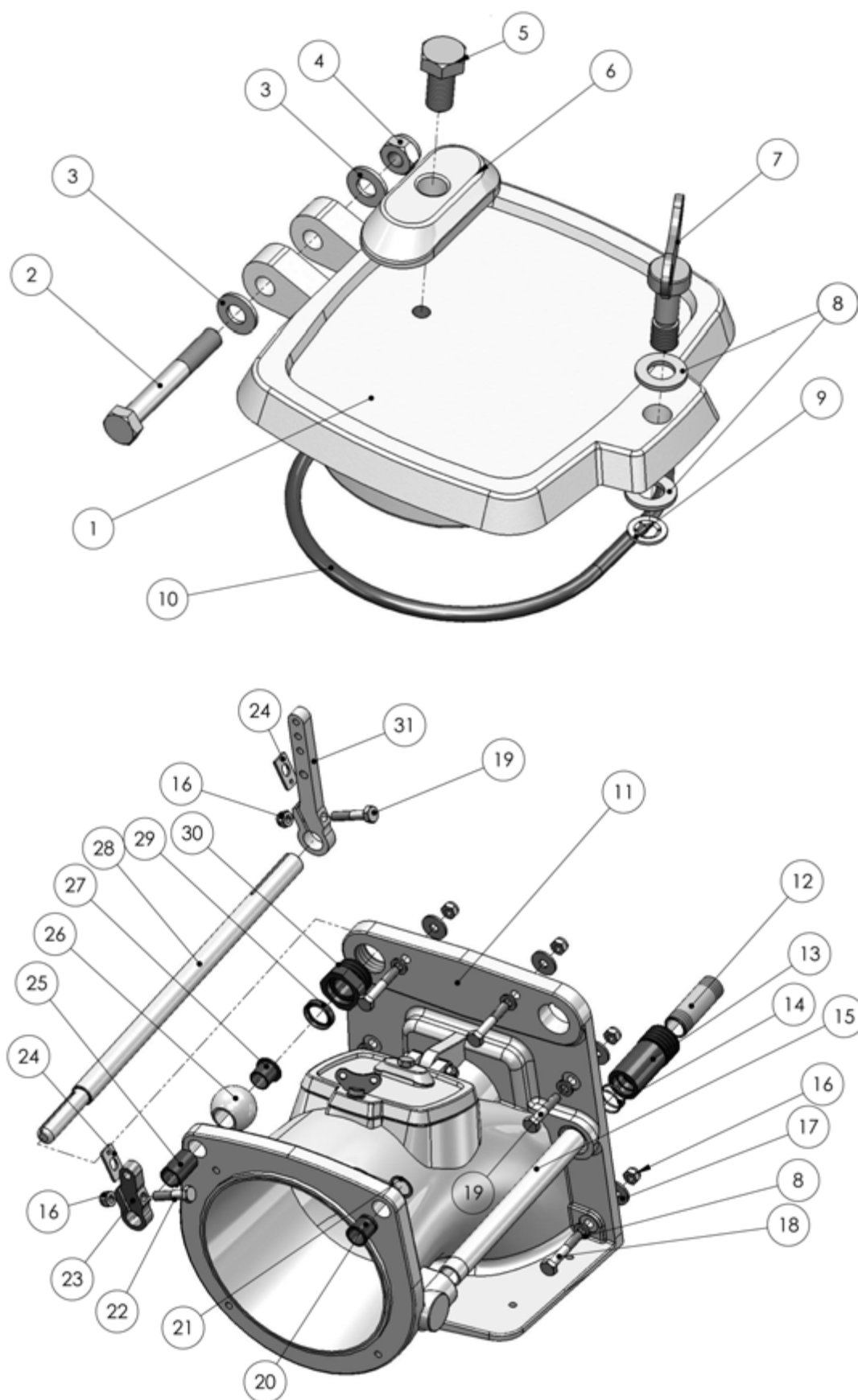
1. Main structure



230A	Hull	230F	Steering nozzle
230C	Bearing and main shaft	230GT	Reversing deflector*
230D	Impeller	230HH	Actuating cylinder
230E	Stator	230I	Hydraulic pump
230B	Cavitation Plate	A	Grass rake
B	Coupling flange		

* The figure shows a tube-type reversing deflector. In the Jet 230, a round-type reversing deflector can also be used.

2. Frame (230A04 and 230A09)

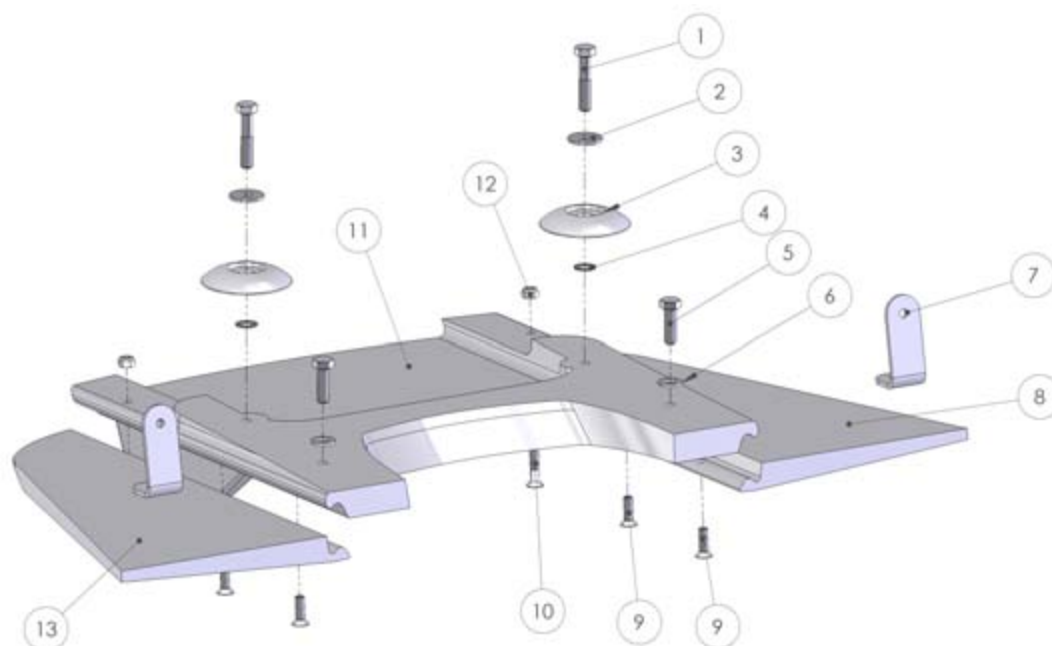


No.	Name	Code	Pcs
1	Inspection hatch	10051	1
2	Hex screw M8	R04080602-1	1
3	Spacer M8	R10080002	2
4	Nyloc M8	R31080002	1
5	Hex screw M10	R04100202	1
6	Zinc anode	10053	1
7	Wing screw M10	10089	1
8	Spacer M10	R10100002	8
9	Locking plate	L0403	1
10	Seal	T0000122	1
11	Body 230	10010	1
	Body 230	10385*	1
12	Raw water connector	10095	1
13	Raw water lead-through	10033	1
14	O-ring	T0000027	2
15	Raw water hose	10048	1
16	Nyloc M10	R31100002	8
17	Body spacer M10	R11100002	6
18	Hex screw M10	R04100602	4
19	Hex screw M10	R04100502	3
20**	Sliding sleeve	10090	1
21**	Locking ring	L0404	1
22	Hex screw M10	R04100452	1
23	Steering lever 2	10021	1
24	Wedge	10022	2
25	Steering nozzle sleeve	10034	1
26	Zinc anode	K0537	1
27	Compound bearing	H0403	1
28	Steering shaft	10014	1
29	Shaft seal	T9900020	1
30	Lead-through	10023	1
31	Steering lever 1	10019	1

* Included in the 230A09 assembly, Jet-230 (2303-----) units

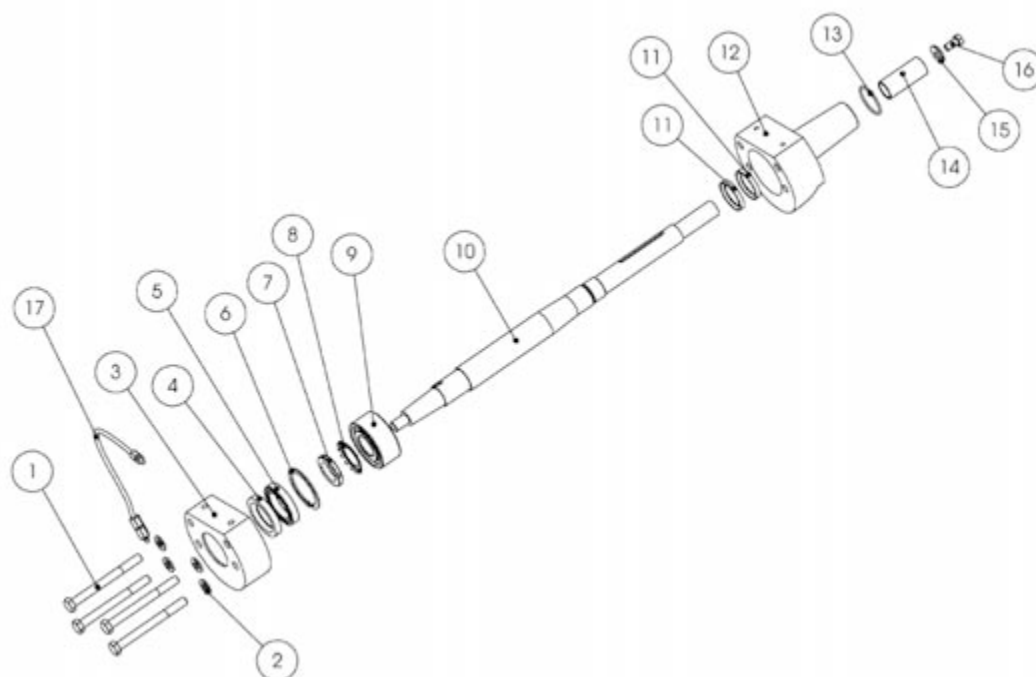
** Not included in the 230A09 assembly, Jet-230 (2303-----) units

3. Cavitation plate (230B2)



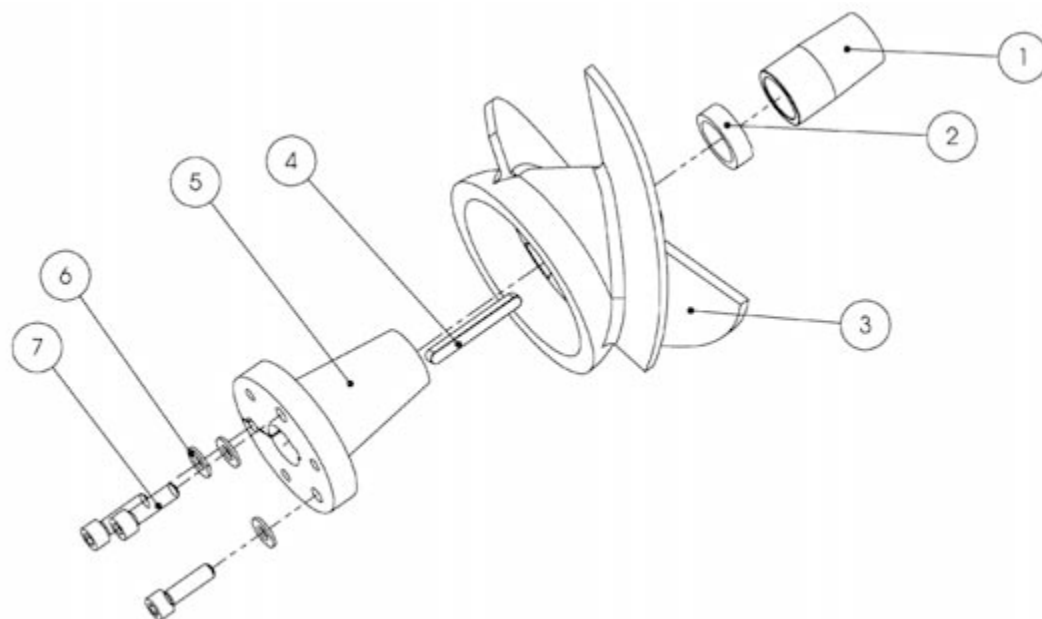
No.	Name	Code	Pcs
1	Hex screw	R04080402	2
2	Body spacer M8	R11080002	2
3	Zinc anode 60	10054	2
4	Tooth spacer M8	R12080002	2
5	Hex screw	R04080252	2
6	Base plate M8	R10080002	2
7	Cavitation plate support	10128	2
8	Cavitation plate blade left	10106	1
9	Socket screw M6	R02060202	4
10	Socket screw M6	R02060302	2
11	Cavitation plate K2	10103	1
12	Locking nut M6 A4	R31060002	2
13	Cavitation plate blade right	10104	1

4. Main shaft and bearings (230C-D40)



No.	Name	Code	Pcs
1	Hex screw M12	R04121302	4
2	Spacer M12	R10120002	4
3	Support bearing housing	10117	1
4	Shaft seal	T456810A	1
5	Bearing	L0101	1
6	Locking ring	L0450	1
7	Spinner nut	L0207	1
8	Nut safety plate	L0307	1
9	Bearing	L0122	1
10	Shaft	10119	1
11	Shaft seal	T9900041	2
12	Bearing housing	10118	1
13	O-ring	T0000040	1
14	Shaft sleeve	10052	1
15	Locking plate	10056	1
16	Hex screw M10	R04100202	1
17	Lubrication hose	10018	1

5. Impeller (230D)



No.	Name	Code	Pcs
1	Adjuster sleeve	*	*
3	Adjuster sleeve extension	*	*
3	Impeller	**	**
4	Wedge	K0202	1
5	Impeller fastening cone	10102	1
6	Spacer M10	R10100002	3
7	Socket screw M10	R01100352	3

* Depends on impeller used.

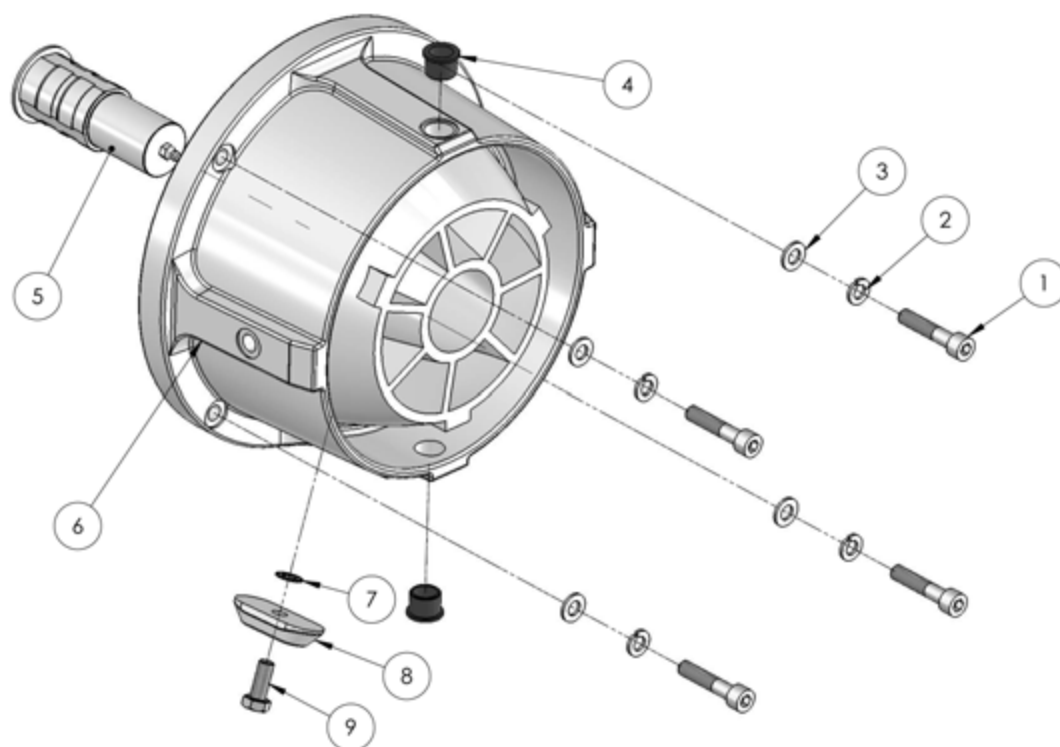
** Depends on engine power and torque profile.

Table 1. Most common impeller types

Type	Code	Compatible engines	Adjuster sleeves used
9" 0	5204-0	Steyr MO144M38, Steyr MO164M40, FNM HPE150, FNM HPE 170	10057
9" 00A+	5204-00A +	FNM HPE190, Volvo D3-200	10057
9"00B	5204-00B	Steyr MO236K43	10058
9" BC	5204-00BC	Volvo D3-220, Steyr MO236K42	10058+10050
9" 00C	5204-00C	SeasAll D170J, SeasAll S250J, FNM HPE250, VW TDI 265-6, Steyr MO256K43	10058+10050
10" 000	5212	Yanmar 4LHA-HTTP	10058+10050
11,5"	5211	Yanmar 4LHA-DTP	10058+10050

Type	Code	Compatible engines	Adjuster sleeves used
14"	5213	Yanmar 4LHA-STP	10058+10050

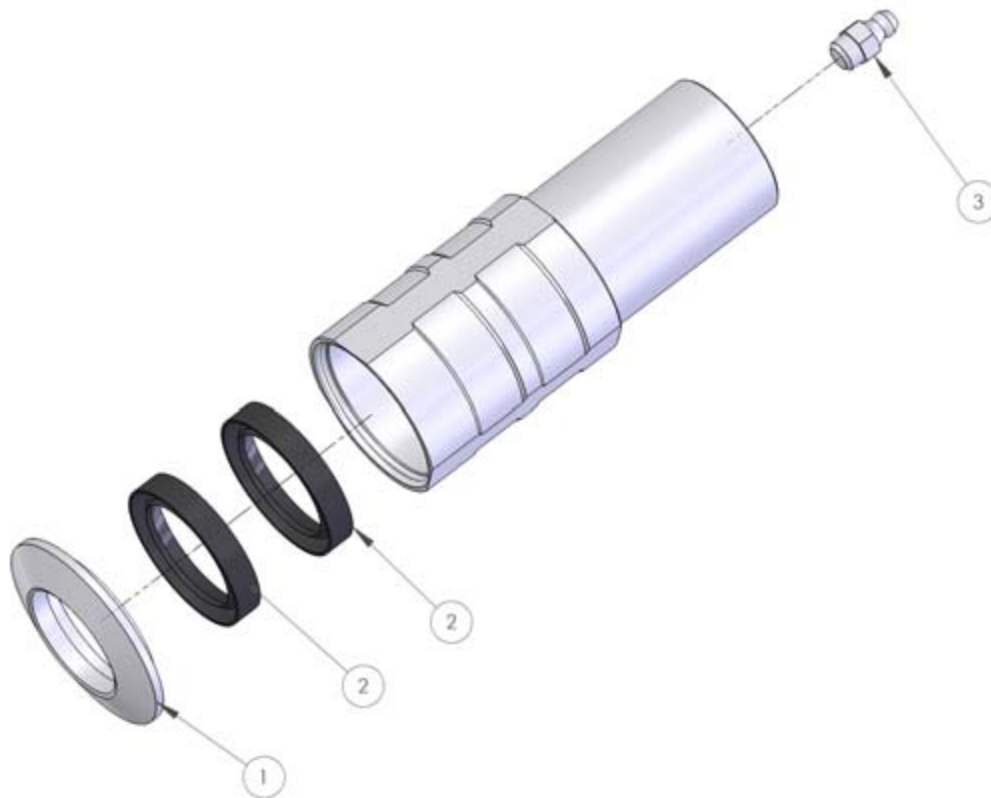
6. Stator (230E and 230E2)



No.	Name	Code	Pcs
1	Socket screw M10	R01100452	4
2	Spring spacer M10	R13100002	4
3	Spacer M10	R10100002	4
4	Compound bearing	H0401	2
5	Rear bearing housing	10160	1
6	Stator	10000	1
	Stator	10381*	1
7	Tooth spacer M10	R12100002**	1
8	Zinc anode	10053**	1
9	Hex screw M10	R04100252**	1

* Included in the 230E2 assembly, Jet-230 (2303-----) units

** Not included in the 230E2 assembly, Jet-230 (2303-----) units



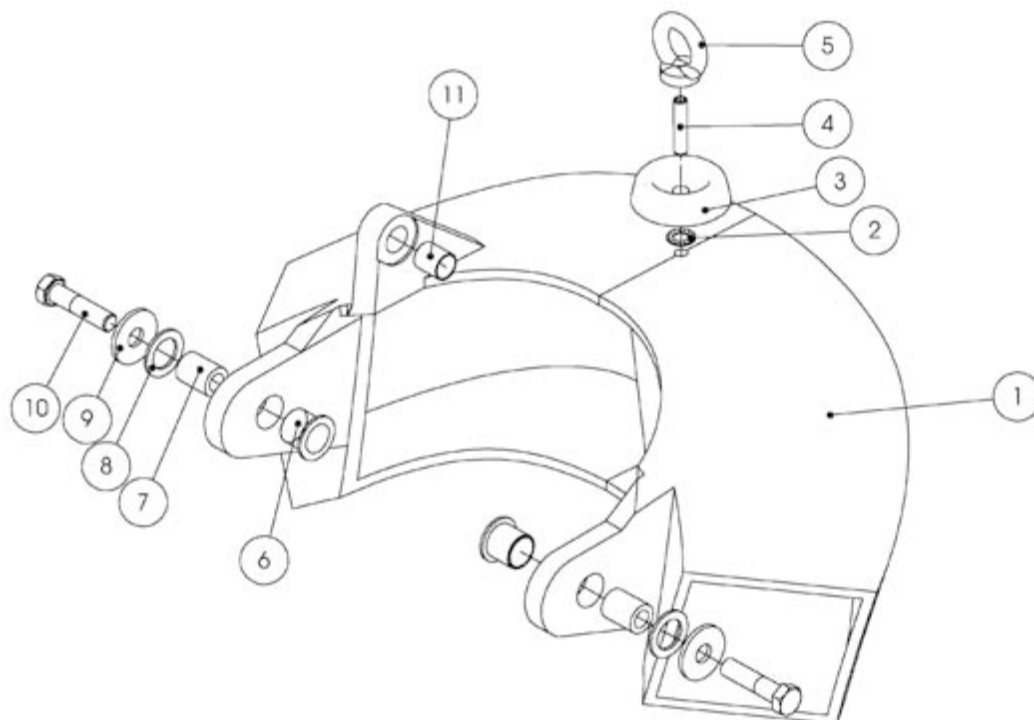
No.	Name	Code	Pcs
1	Safety ring	10370	1
2	Shaft seal	T9900030	2
3	Grease nipple M8	P0402	1

7. Steering nozzle (230F)



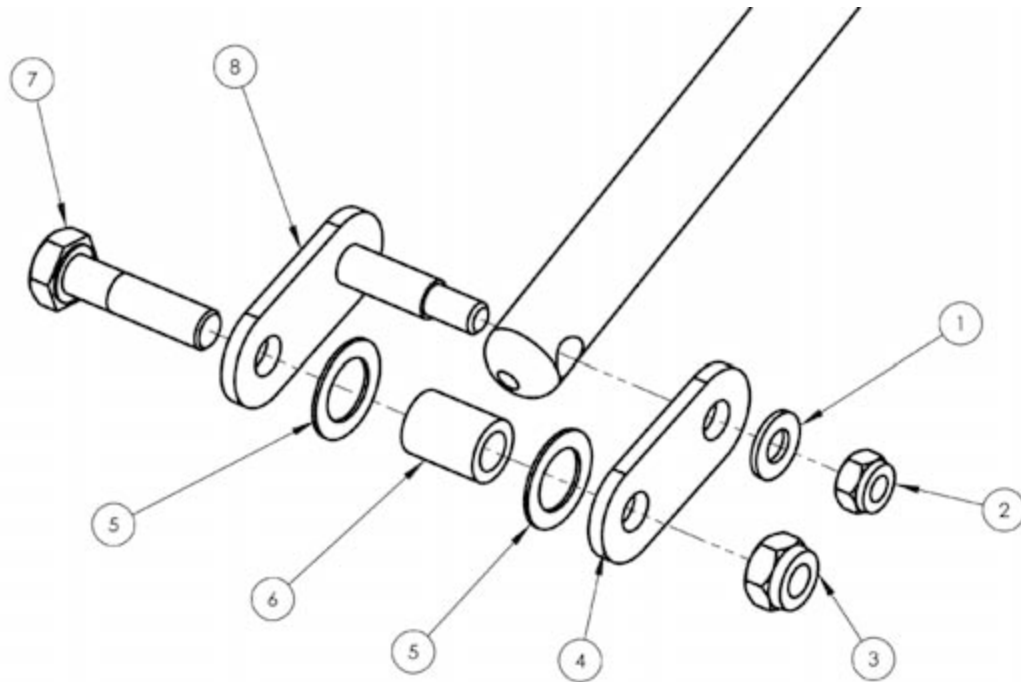
No.	Name	Code	Pcs
1	Steering nozzle	10049	1
2	Tooth spacer M10 A4	R12100002	1
3	Zinc anode	10053	1
4	Hex screw M10	R04100252	1
5	Hex screw M10	R04100402	1
6	Body spacer M10	R11100002	3
7	Plastic spacer plate	H0303	2
8	A4 sleeve	10026	1
9	Socket screw M10	R01100402	2
10	Plastic spacer plate	H0301	1
11	Loop joint	RF10SEJR316	2
12	Locking nut M10	R31100000	1
13	Hex nut M10	R30100002	2
14	Clamping screw M10	R05100702	1
15	A4 sleeve	10025	1
16	Hex screw M10	R04100602	1
17	A4 sleeve	10030	1

8. Tube-type reversing deflector (230GT)



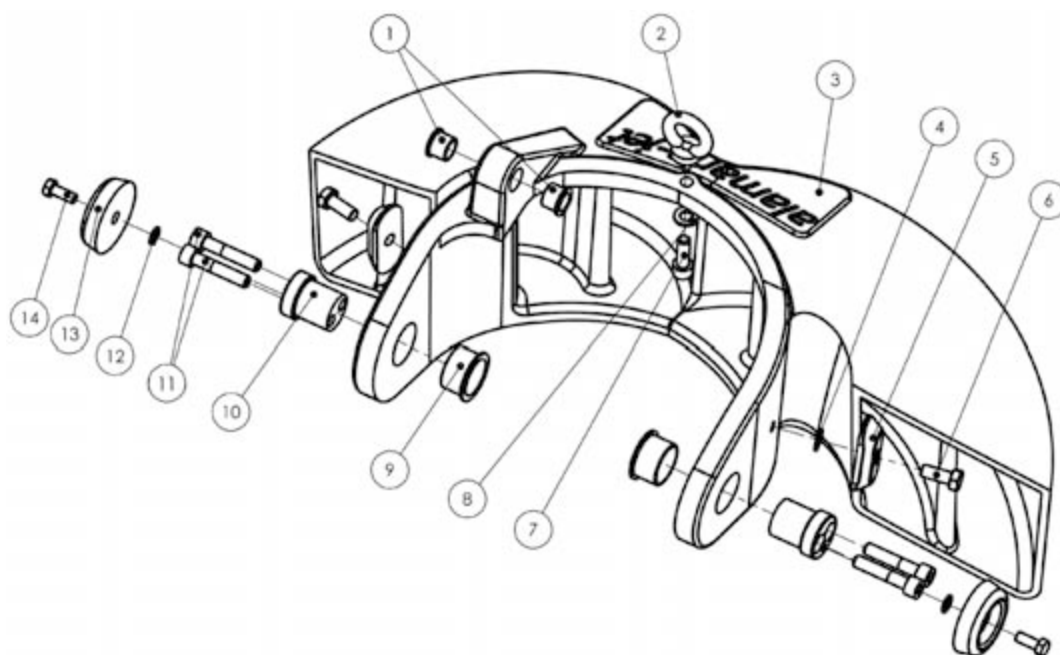
No.	Name	Code	Pcs
1	Tube-type reversing deflector	10096	1
2	Tooth spacer M10	R12100002	1
3	Zinc anode	10054	1
4	Clamping screw M10	R05100402	1
5	Lifting loop M10	R60100000	1
6	Compound bearing	H0403	2
7	A4 sleeve	10116	2
8	Spacer plate	H0305	2
9	Body spacer M12	R11120002	2
10	Hex screw M12	R04120502	2
11	Plastic bearing	H0102	1

8.1. Tube-type reversing deflector cheek plates and accessories



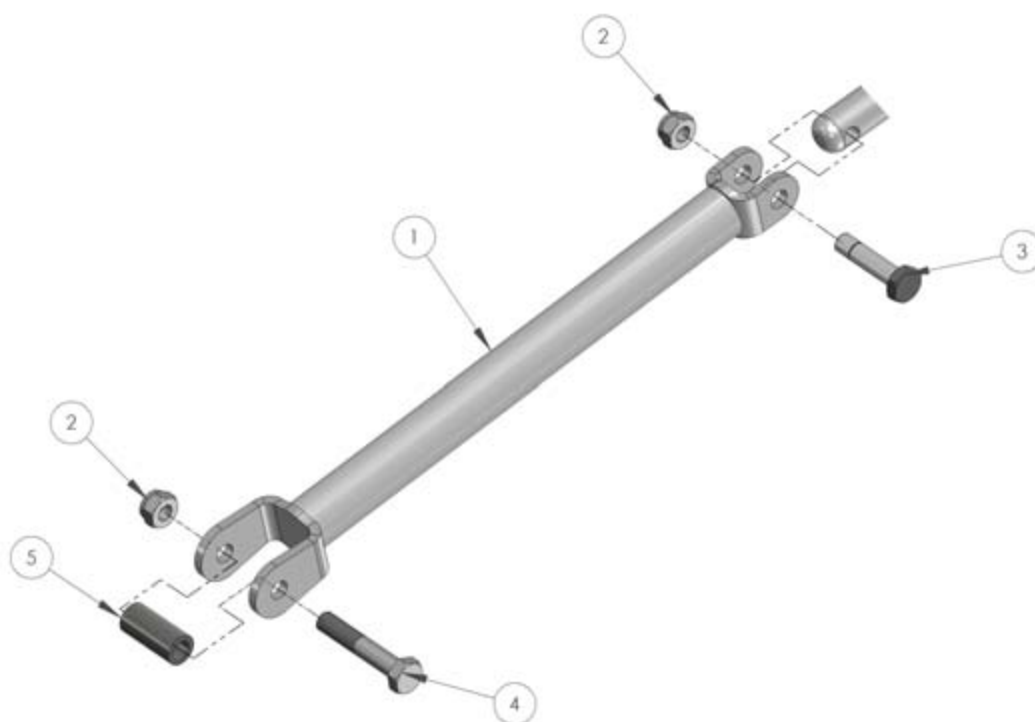
No.	Name	Code	Pcs
1	Spacer M8	R10080002	1
2	Nyloc M8	R31080002	1
3	Nyloc M10	R31100002	1
4	Cheek plate	10097	1
5	Spacer plate	H0303	2
6	A4 sleeve	10026	1
7	Hex screw M10	R04100402	1
8	Cheek plate with hinge pin	10101	1

9. Tube-type reversing deflector (230GT2)



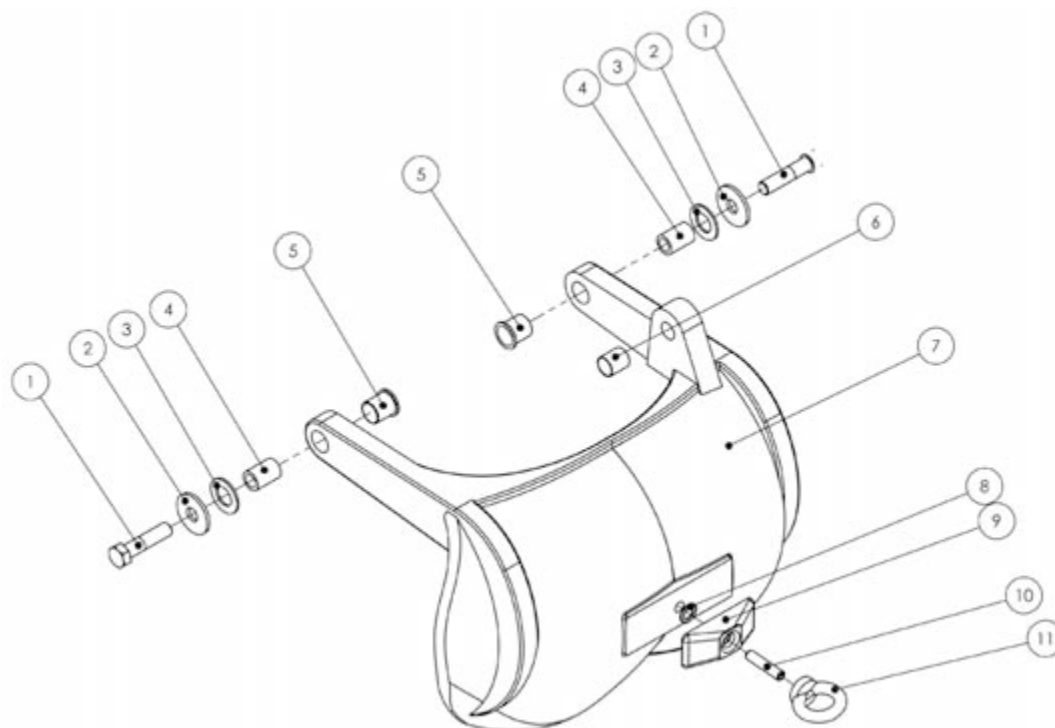
No.	Name	Code	Pcs
1	Compound bearing	H0401	2
2	Lifting loop	R60100000	1
3	Tube-type reversing deflector	10382	1
4	Tooth spacer M10	R12100002	2
5	Zinc anode	10053	2
6	Hex screw M10	R04100252	2
7	Socket screw M10	R01100302	1
8	Spacer M10	R10100002	1
9	Compound bearing	H0404	2
10	Joint peg	10383	2
11	Socket screw M10	R01100502	4
12	Tooth spacer M8	R12080002	2
13	Zinc anode	10054	2
14	Hex screw M8	R04080202	2

9.1. Reversing deflector connecting rod



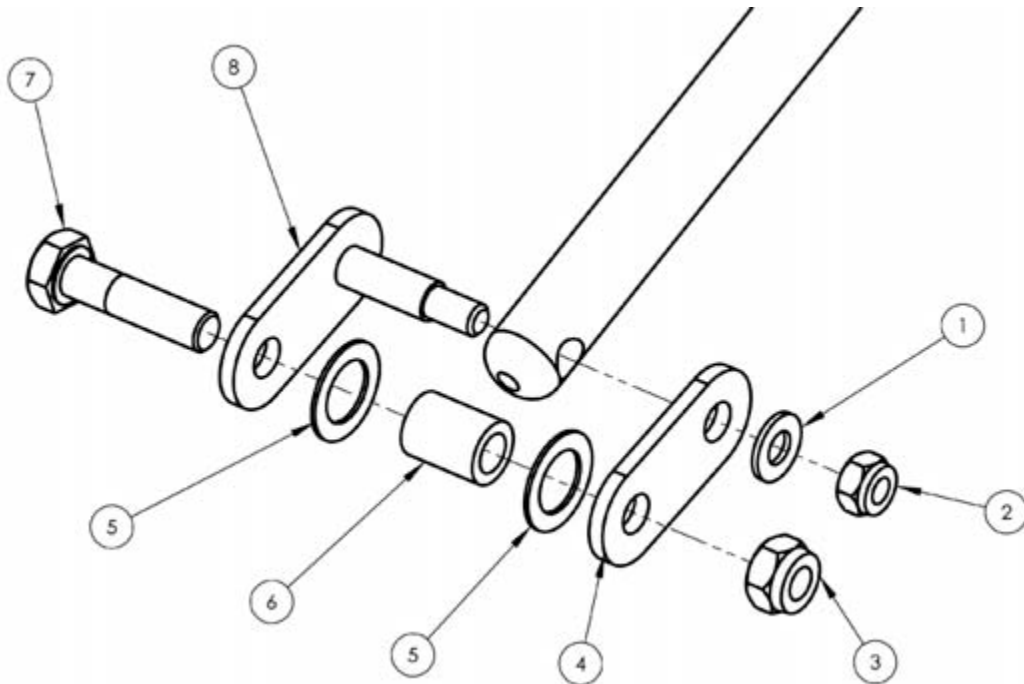
No.	Name	Code	Pcs
1	Connecting rod	10427	1
2	Nyloc M10	R31100002	2
3	Joint screw	10406	1
4	Hex screw M10	R04100602	1
5	A4 sleeve	10028	1

10. Round-type reversing deflector (230GK)



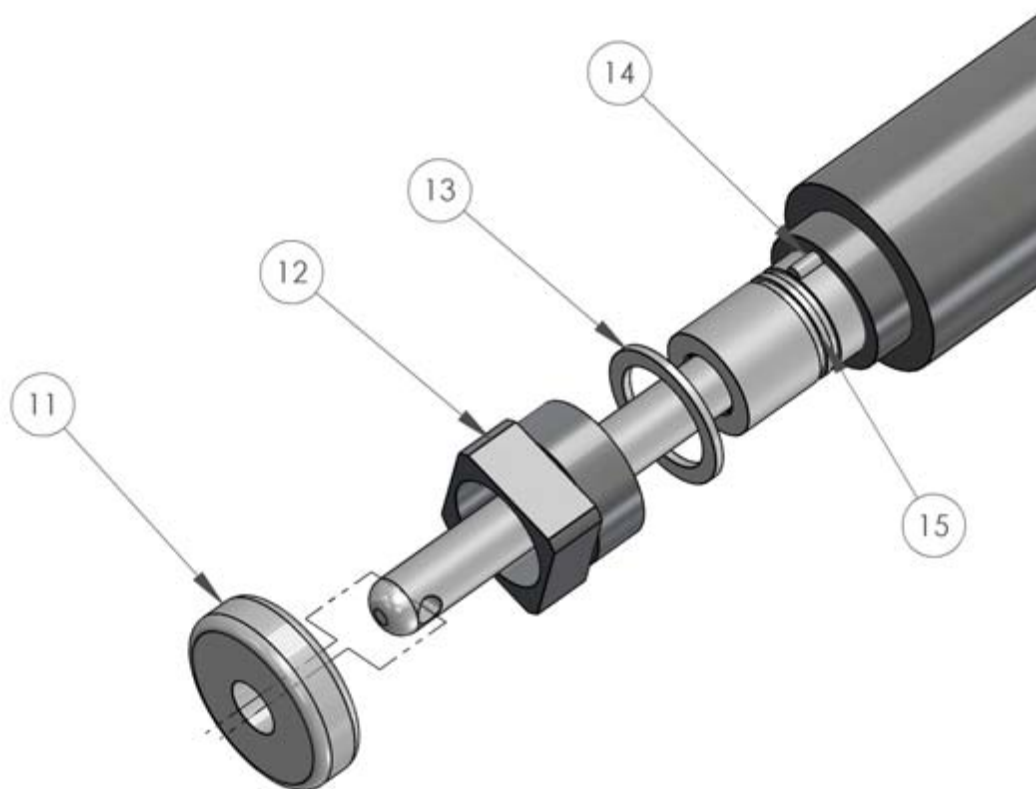
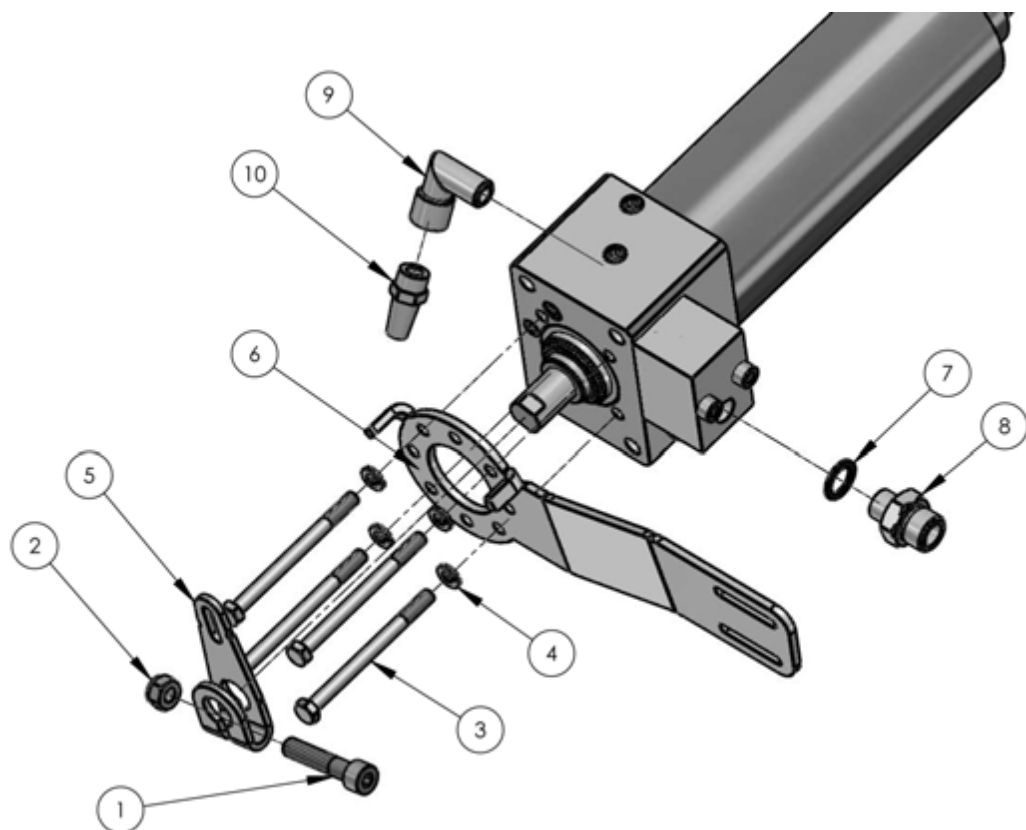
No.	Name	Code	Pcs
1	Hex screw M12	R04120502	2
2	Body spacer M12	R11120002	2
3	Spacer plate	H0306	2
4	A4 sleeve	10078	2
5	Compound bearing	H0402	2
6	Plastic bearing	H0102	1
7	Round-type reversing deflector	10189	1
8	Tooth spacer M10	R12100002	1
9	Zinc anode	10053	1
10	Clamping screw M10	R05100402	1
11	Lifting loop	R60100000	1

10.1. Round-type reversing deflector cheek plates and accessories



No.	Name	Code	Pcs
1	Spacer M8	R10080002	1
2	Nyloc M8	R31080002	1
3	Nyloc M10	R31100002	1
4	Cheek plate	10098	1
5	Spacer plate	H0303	2
6	A4 sleeve	10026	1
7	Hex screw M10	R04100402	1
8	Cheek plate with hinge pin	10100	1

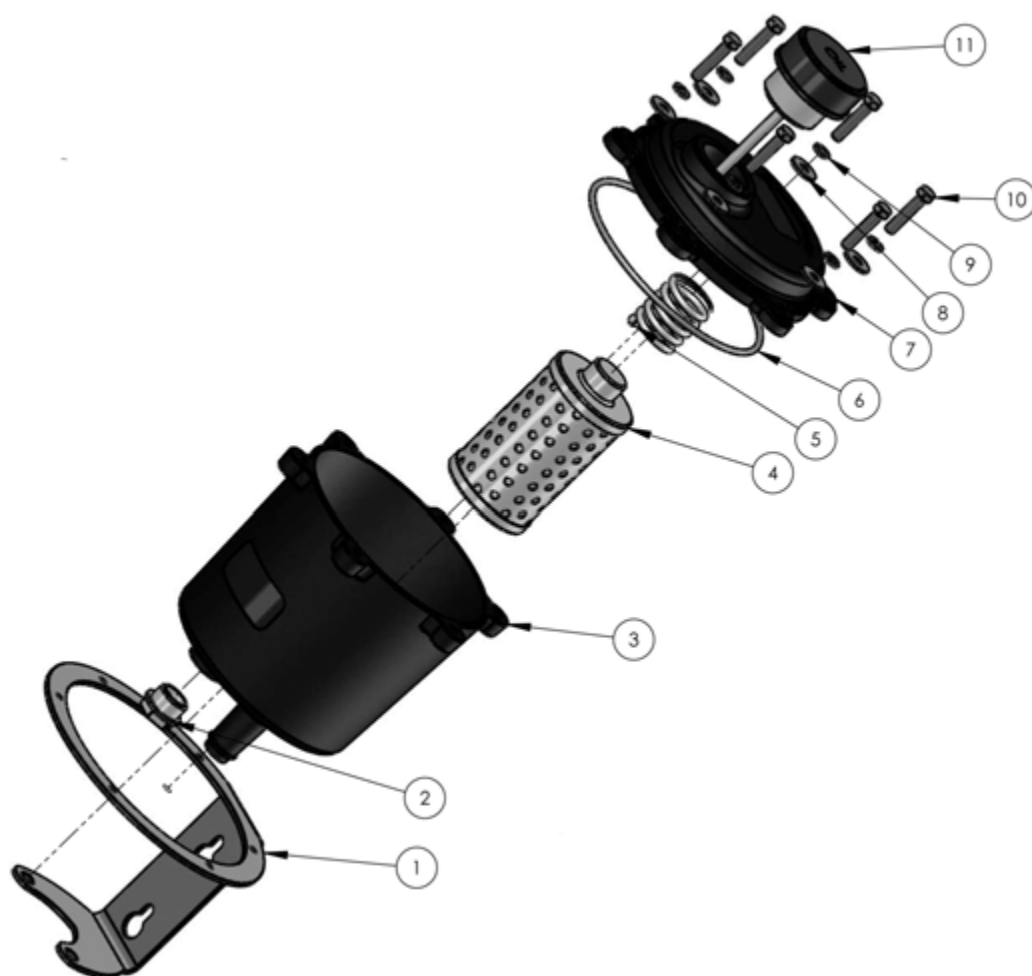
11. Hydraulic cylinder (230HH3 and 230HH3B)



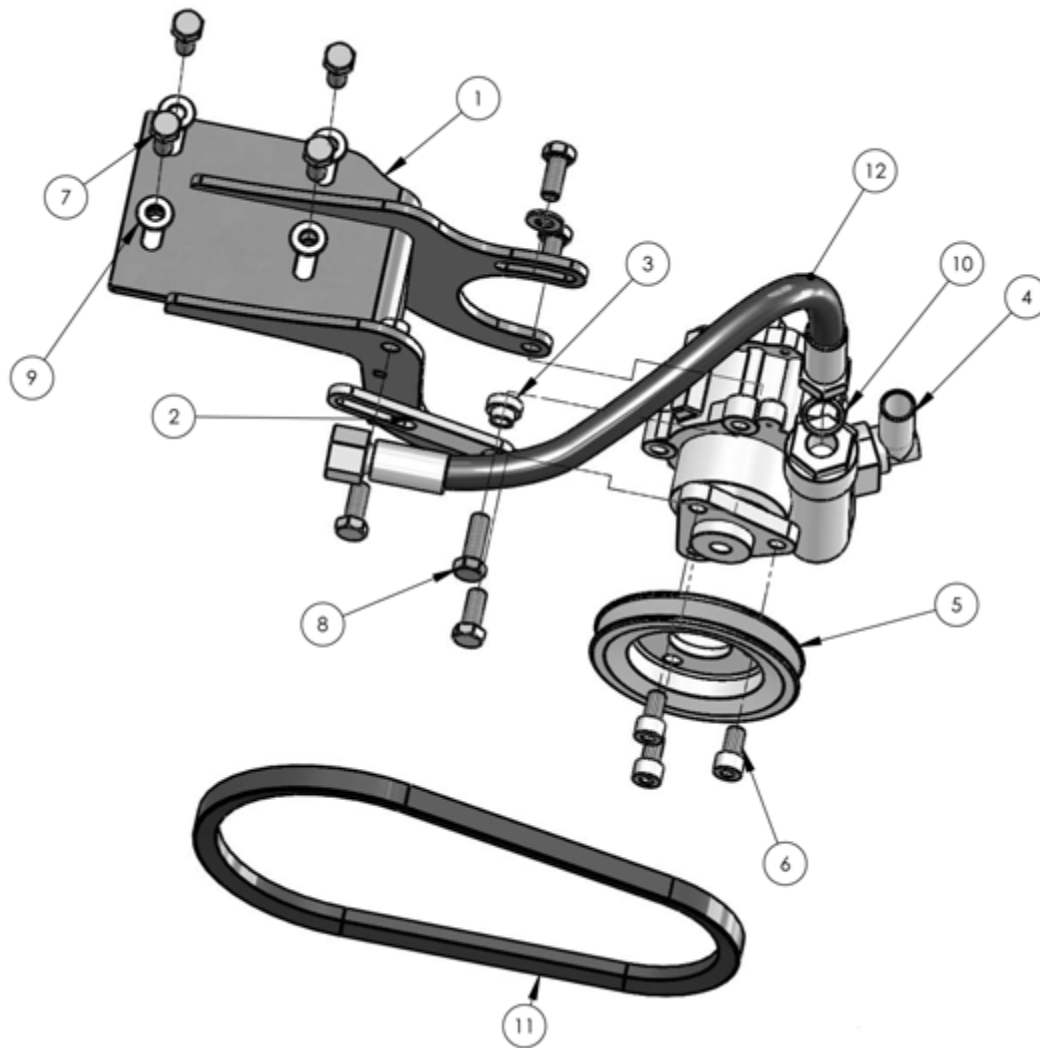
No.	Name	Code	Pcs
1	Screw M8	R01080402	1
2	Nut M8	R31080002	1
3	Screw M6	R04060802	4
4	Elastic plate M6	R13060002	4
5	Lever	10310	1
6	Cable support	10208	1
7	Copper seal	P0372	1
8	Reducing nipple	P0367	1
9	Bend	P0302	1
10	Hose shank 12 mm	P0307	1
11	Zinc anode	K0538	1
12	Nut	10091	1
13	Spacer plate	H0304	2
14	Wedge	10429	2
15	O-ring	T0000028	2
16	Sealing and bearing set*	P9904	1

* Includes all the seals and bearings needed for cylinder repair.

12. Hydraulic pump (230I3)

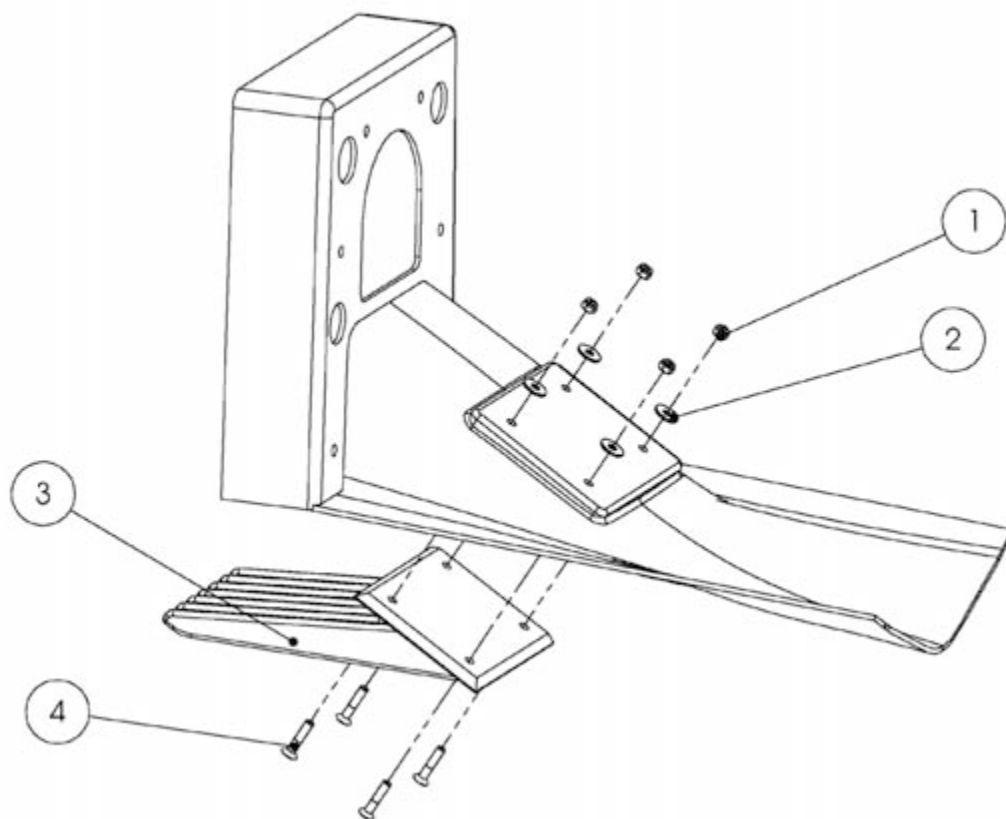


No.	Name	Code	Pcs
1	Oil reservoir rack	10543	1
2	Plug	P0707	1
3	Oil reservoir	10535	1
4	Oil filter	10560	1
5	Spring	K0703	1
6	O-ring	T0000124	1
7	Oil reservoir cover	10536	1
8	Body spacer M5	R11050002	6
9	Spring spacer M5	R13050002	6
10	Hex screw M5	R04050252	6
11	Oil reservoir cap	P0345	1



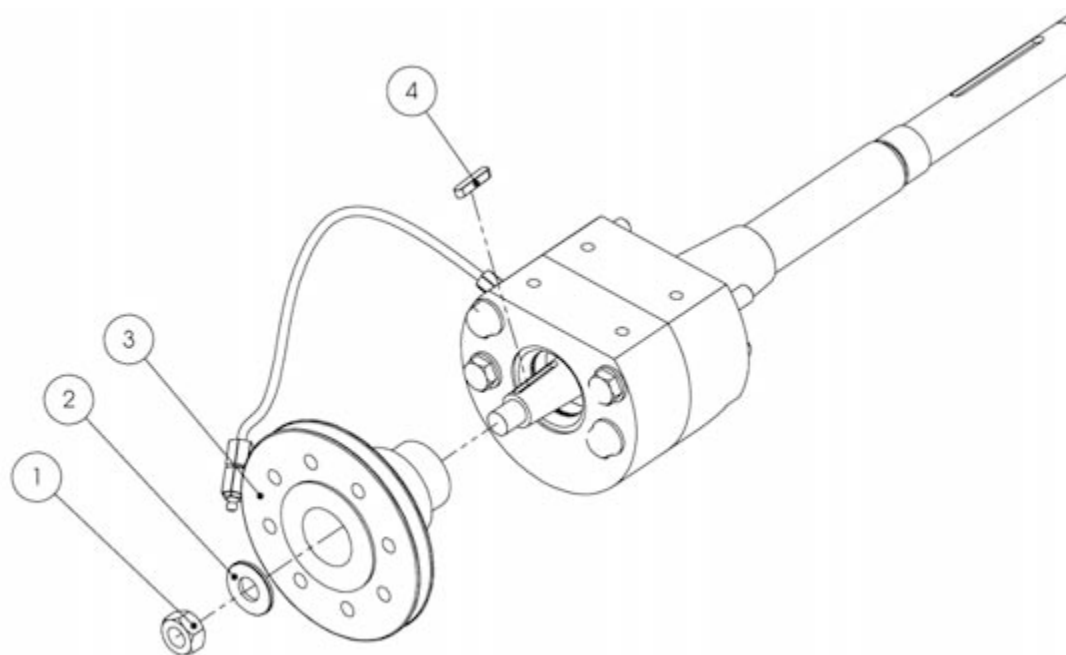
No.	Name	Code	Pcs
1	Oil pump rack	10138	1
2	Tightening plate	10136	1
3	Sleeve	10137	1
4	Hydraulic pump	5715	1
5	Belt pulley	10093	1
6	Socket screw M8	R01080162	3
7	Hex screw M8	R04080202	8
8	Hex screw	R04080252	1
9	Spacer M8	R10080002	6
10	Copper seal	P0341	1
11	Wedge belt	5717	1
12	Pressure hose	P0115	1

13. Grass rake (A)



No.	Name	Code	Pcs
1	Nyloc M8	R31080002	4
2	Body spacer M8	R11080002	4
3	Grass rake	10108	1
4	Socket screw M8	R02080402	4

14. Coupling flange (B)



No.	Name	Code	Pcs
1	Nut M16	R30160002	1
2	Spacer	R11361632	1
3	Coupling flange	*	1
4	Wedge	K0201	1

* The coupling flange is always selected based on the intermediate shaft.

Table 2. Most commonly used coupling flange types

Type	Code	Intermediate shaft
Din-120	10122	Cardan shaft
CV-15	10192	Constant velocity shaft
CV-21	10123	Constant velocity shaft
SAE-1410	10571	Cardan shaft
R&D	10281	Flexible coupling

Other intermediate shaft types can also be used, but then an adapter flange must be installed.