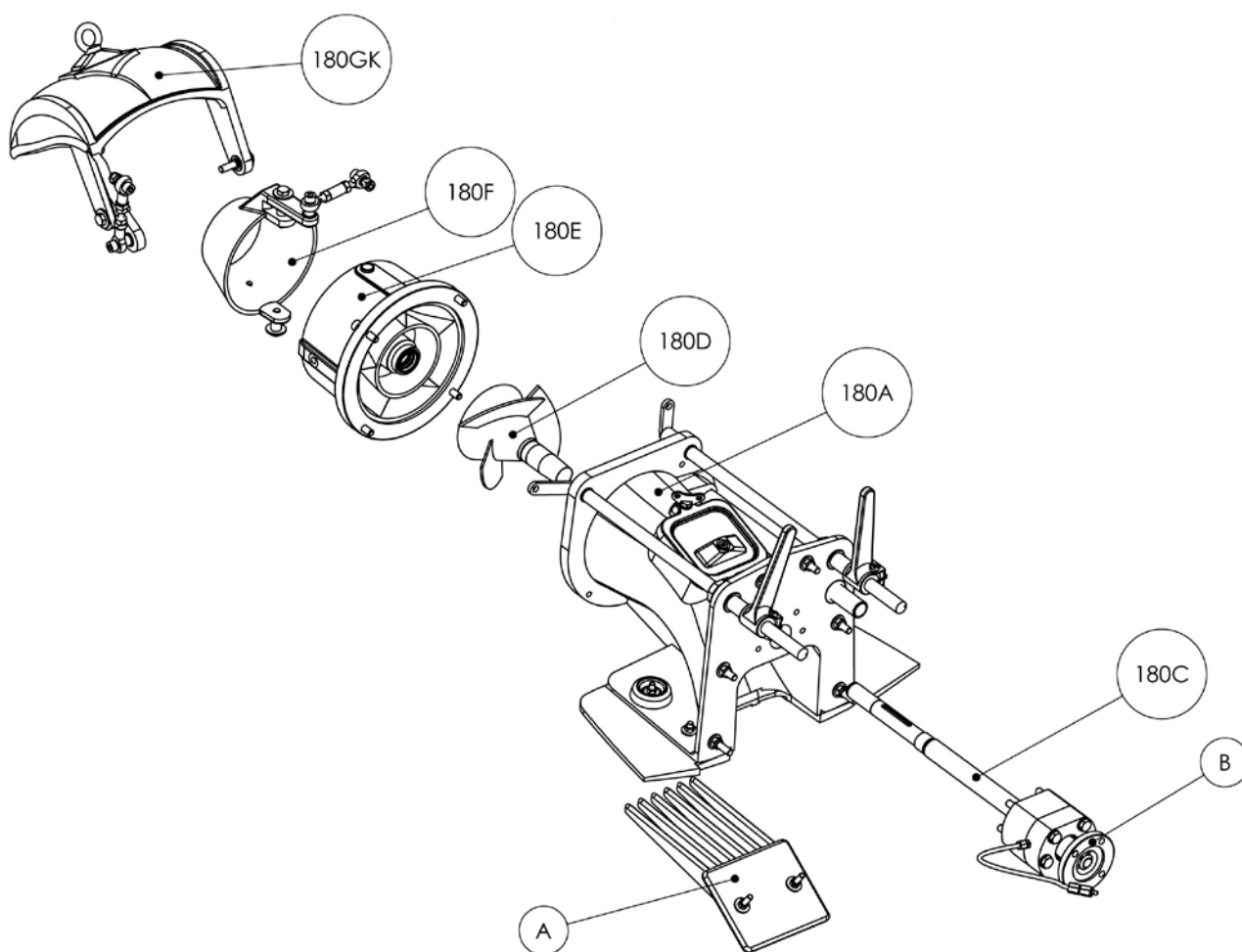


Main exploded view

Code	Name
180A	Frame 180
180C	Bearing and impeller shaft
180D	Impeller
180E	Stator
180F	Steering nozzle
180GK	Round reverse bucket
A	Intake screen
B	Flange



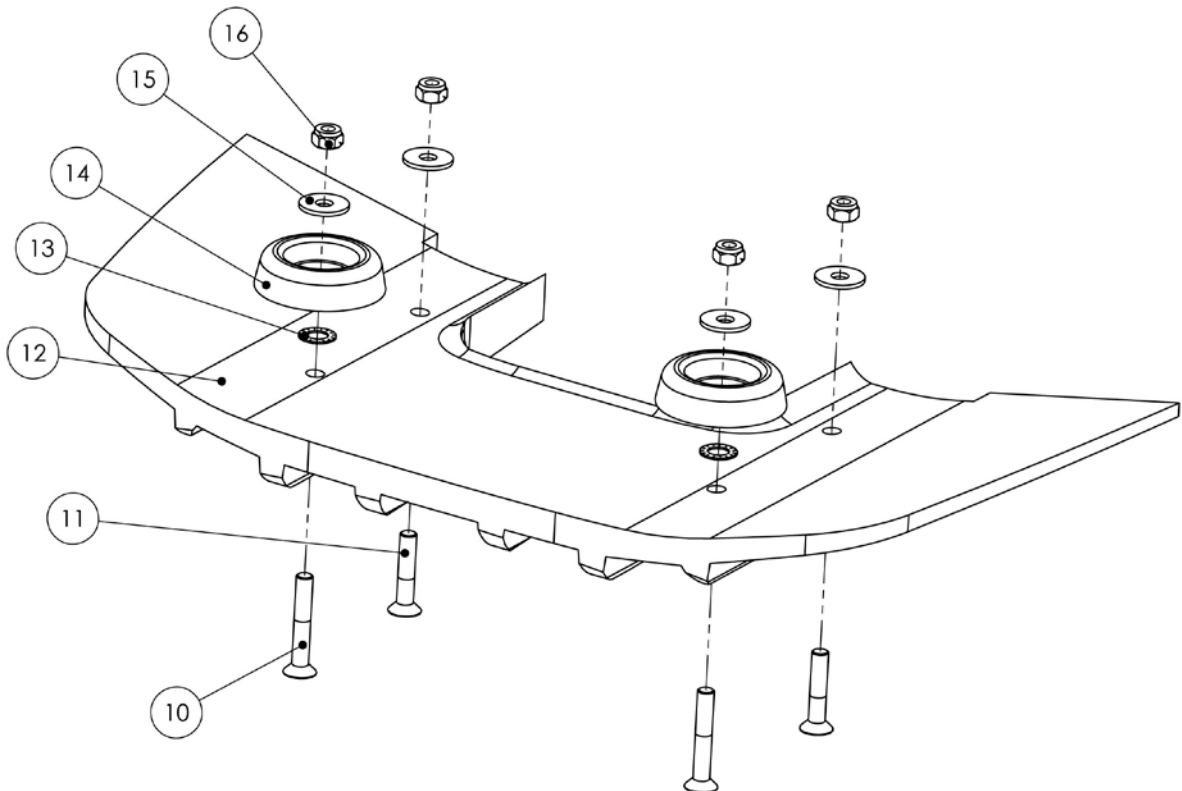
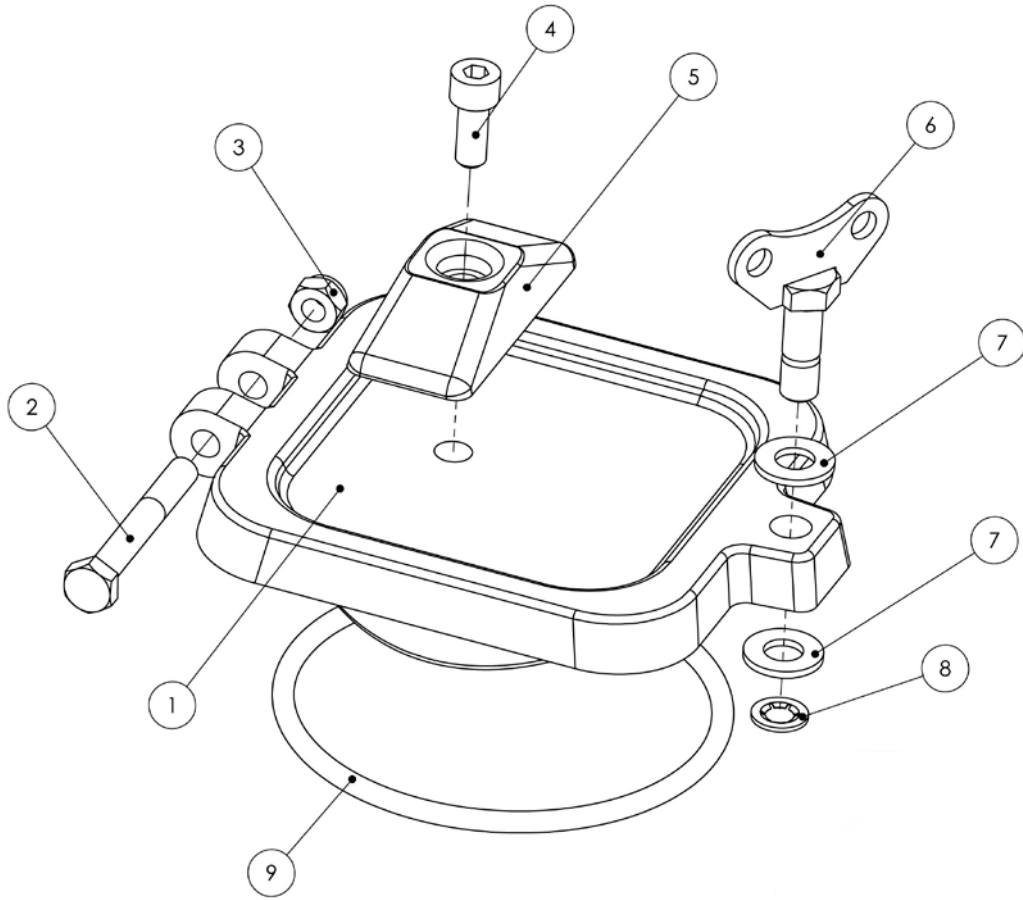
180A Frame

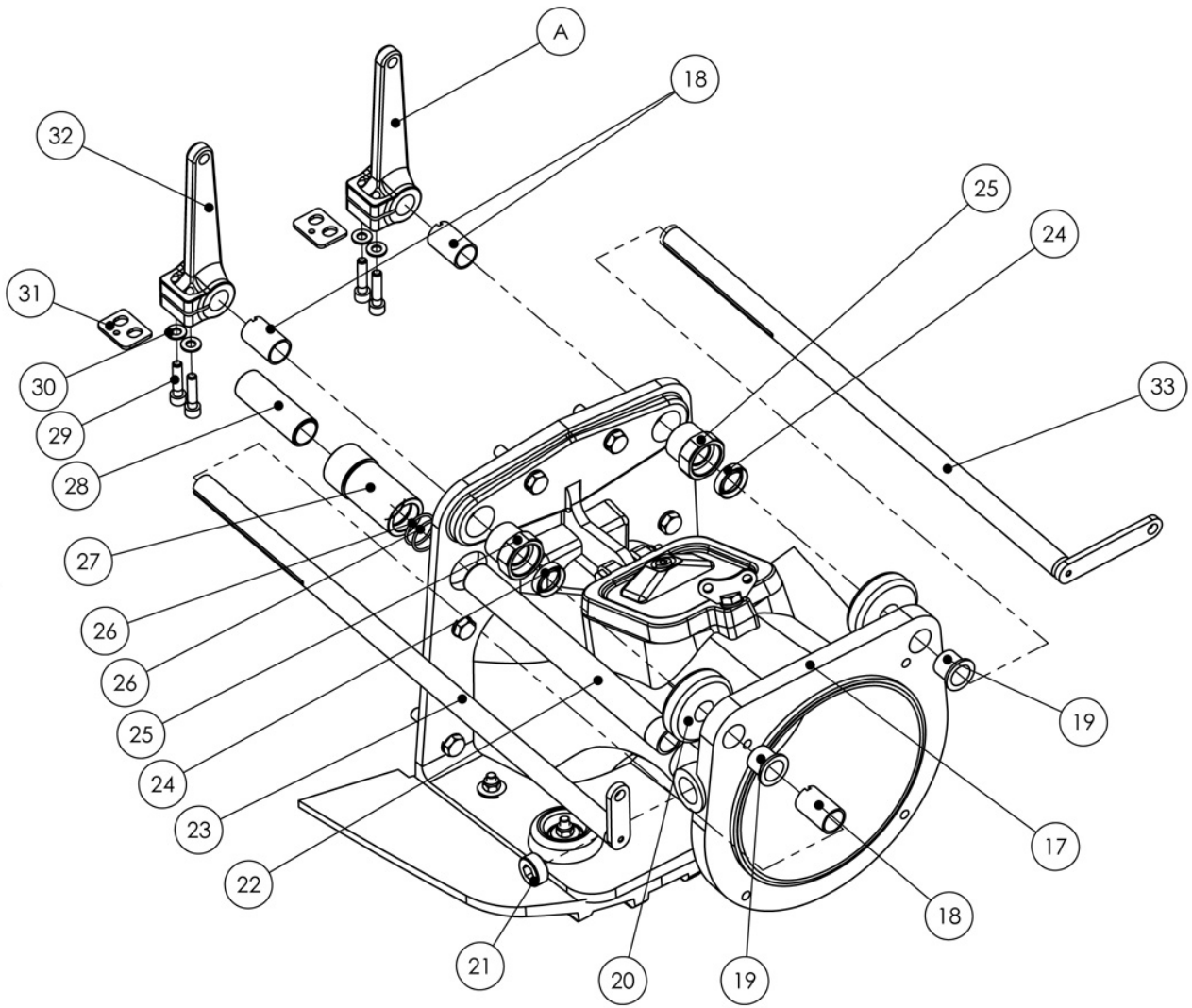
Pos.	Code	Name	Qty
1	10158	Inspection hatch	1
2	R04080602-1	Hexagonal head screw M8	1
3	R31080002	Nyloc M8	1
4	R01080202	Hexagonal socket head screw M8	1
5	10053	Zinc anode	1
6	10089	Wing screw M10	1
7	R10100002	Washer M10	2
8	L0403	Locking ring	1
9	T0000100	Seal	1
10	R02080502	Hexagonal socket head screw M8	2
11	R02080402	Hexagonal socket head screw M8	2
12	10164	Cavitation plate	1
13	R12080002	Washer M8	2
14	10054	Zinc anode	2
15	R11080002	Washer M8	4
16	R31080002	Nyloc M8	4
17	10156	Frame 180	1
18	10034	Sleeve	3
19	H0403	Plastic bearing	2
20	K0538	Zinc anode	2
21	R50340002	Plug	1
22	10048	Raw water pipe	1
23	10148	Steering shaft	1
24	T9900021	Shaft seal	2
25	10150	Lead-in	2
26	T0000027	O-ring	2
27	10033	Raw water lead-in	1
28	10095	Raw water coupling	1
29	R01080352	Hexagonal socket head screw M8	4
30	R10080002	Washer M8	4
31	10168	Wedge plate	2
32	10166	Steering lever	1
33	10149	Control shaft	1
A	*	Control lever	1

* Code depends on the length.

185A Frame

Nro	Koodi	Nimi	Kpl
17	4503M	Frame 185	1
18	10034	Sleeve	2
	10325	Sleeve	1
	10327	Sleeve	1

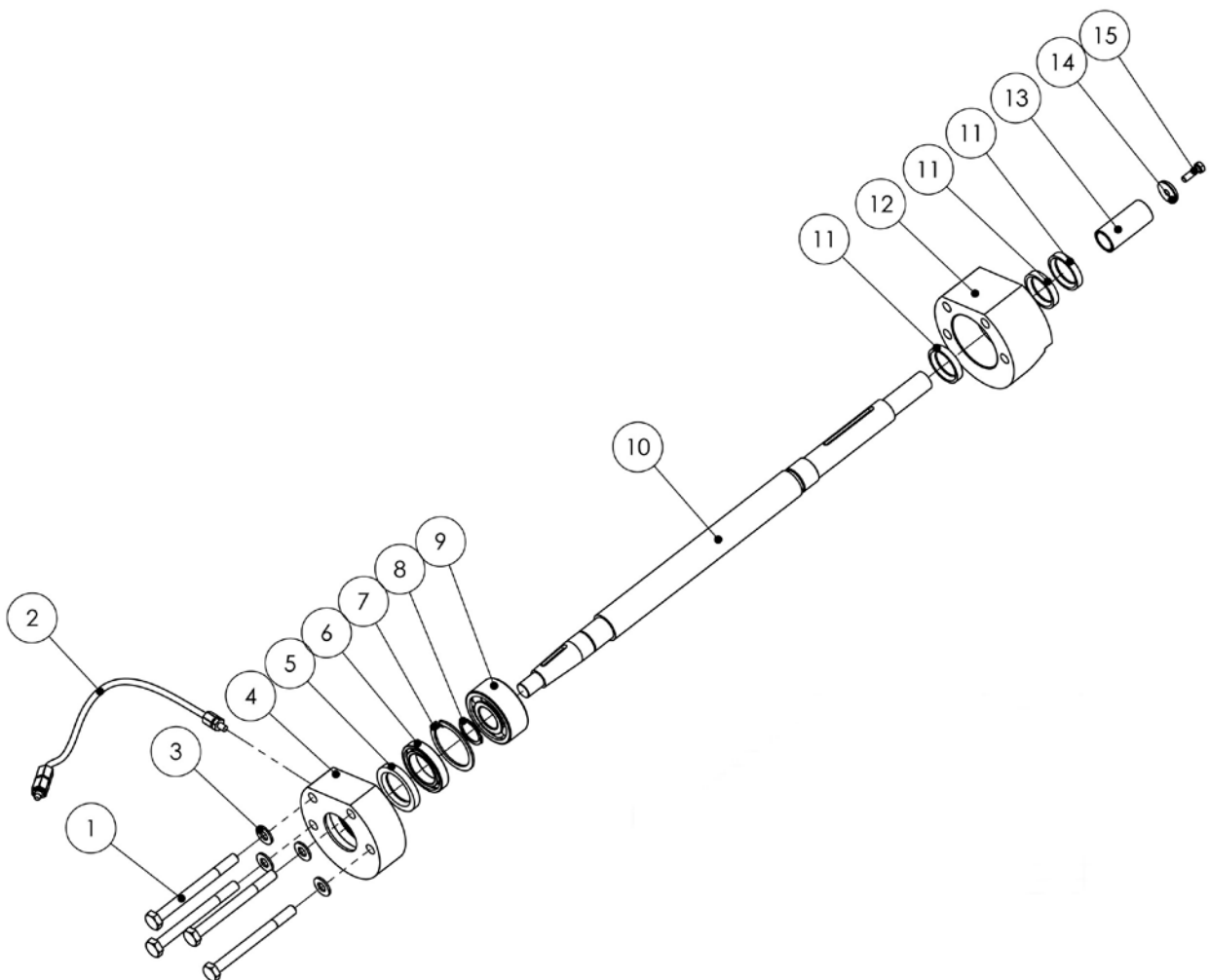




180C Impeller shaft

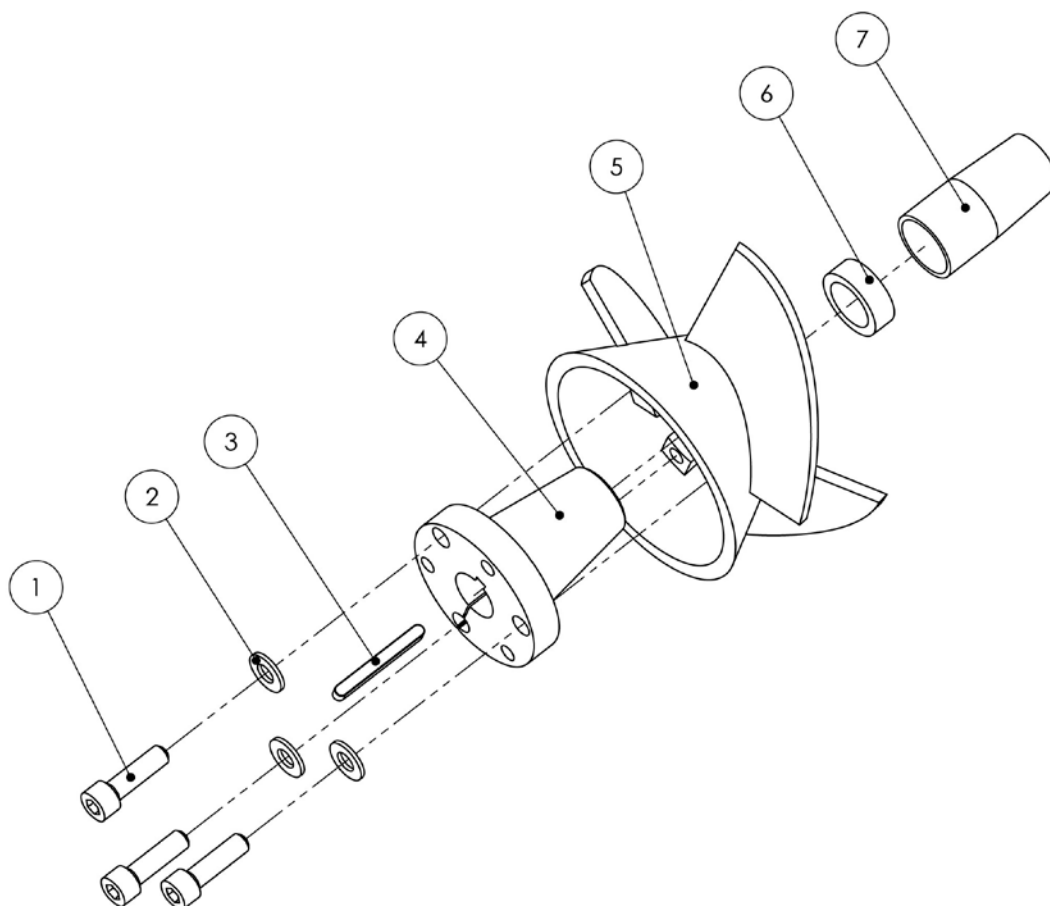
Pos.	Code	Name	Qty
1	R04101102	Hexagonal head screw M10	4
2	10018	Grease tube	1
3	R10100002	Washer M10	4
4	10013	Support bearing housing 180	1
5	T355207A	Shaft seal	1
6	L0103	Bearing	1
7	L0453	Locking ring	1
8	L0402	Locking ring	1
9	L0120	Bearing	1
10*	10006	Impeller shaft	1
11	T9900030	Shaft seal	3
12	10012	Bearing housing 180	1
13	10016	Shaft sleeve	1
14	10017	Locking plate	1
15	R04060202	Hexagonal head screw M6	1

***Jet-185 impeller shaft code 10224**



180D Impeller

Pos.	Code	Name	Qty
1	R01100352	Hexagonal socket head screw M10	3
2	R10100002	Washer M10	3
3	K0203	Key	1
4	10169	Impeller mounting cone 160,180	1
5	*	Impeller	1
6	10170	Extension for adjuster sleeve	1
7	10081	Adjuster sleeve	1



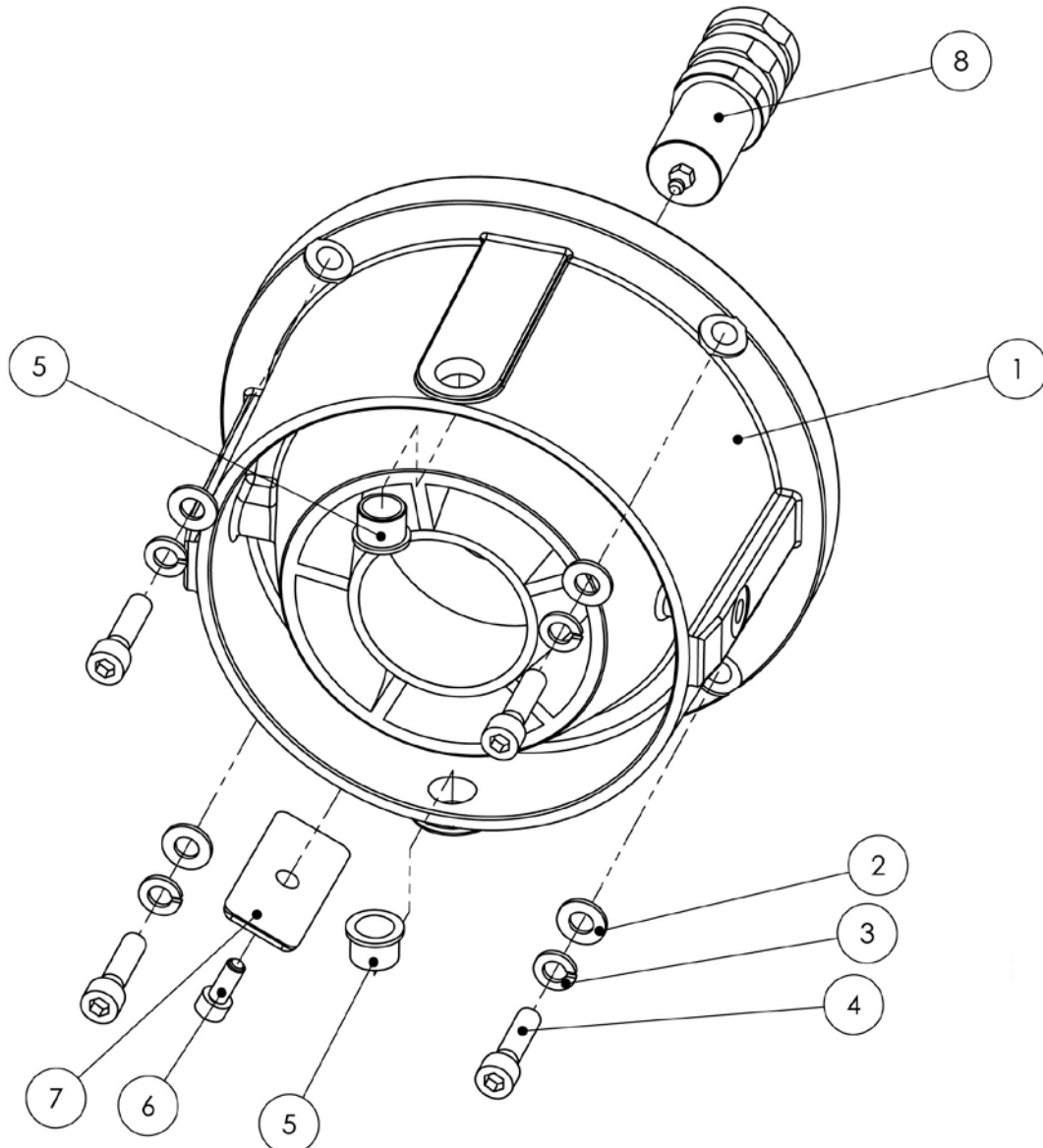
* Depends on used engine's horsepower and torque curve. Pos. 6. ja 7. depends on used impeller.

180E Stator

Pos.	Code	Name	Qty
1*	10001	Stator 180	1
2	R10100002	Washer M10	4
3	R13100002	Washer M10	4
4*	R01100402	Hexagonal socket head screw M10	4
5	H0401	Plastic bearing	2
6	R01080202	Hexagonal socket head screw M8	1
7	10053	Zinc anode	1
8	10161	Rear bearing 160/180	1

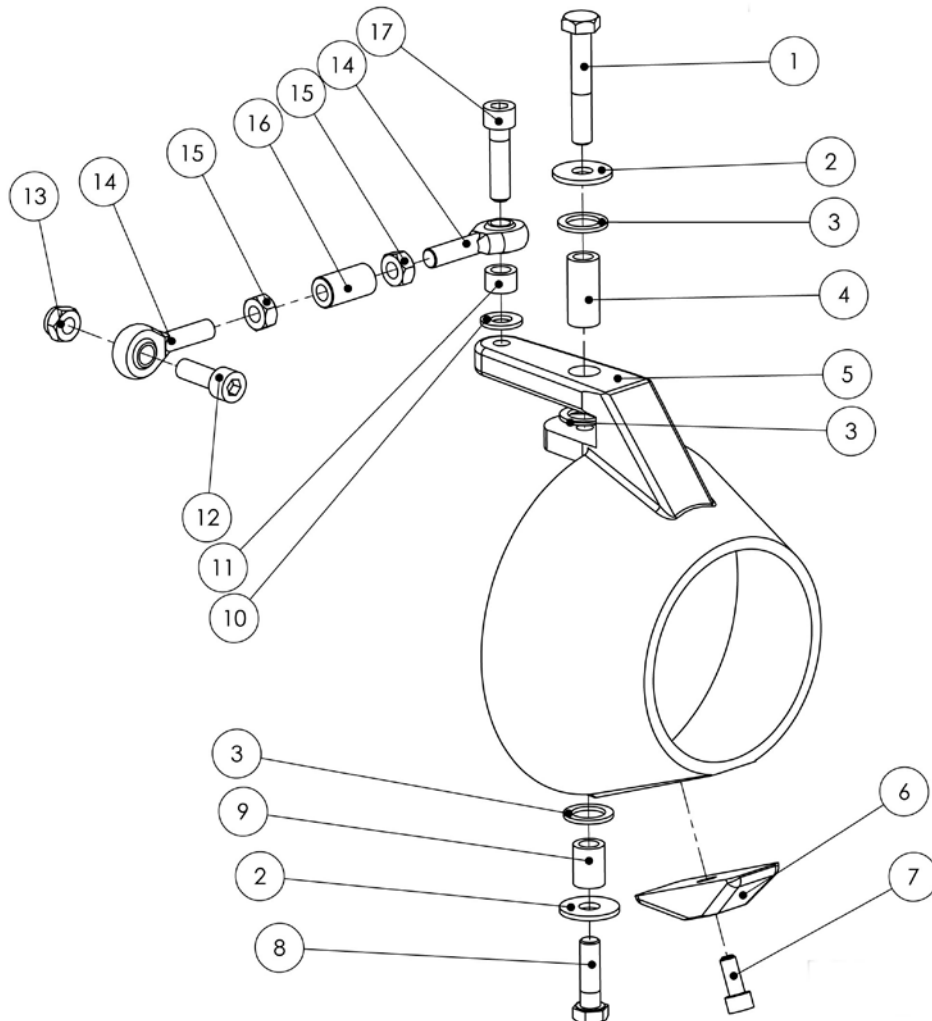
*Jet-185 stator code 4406

**Jet-185 screws code R01100702



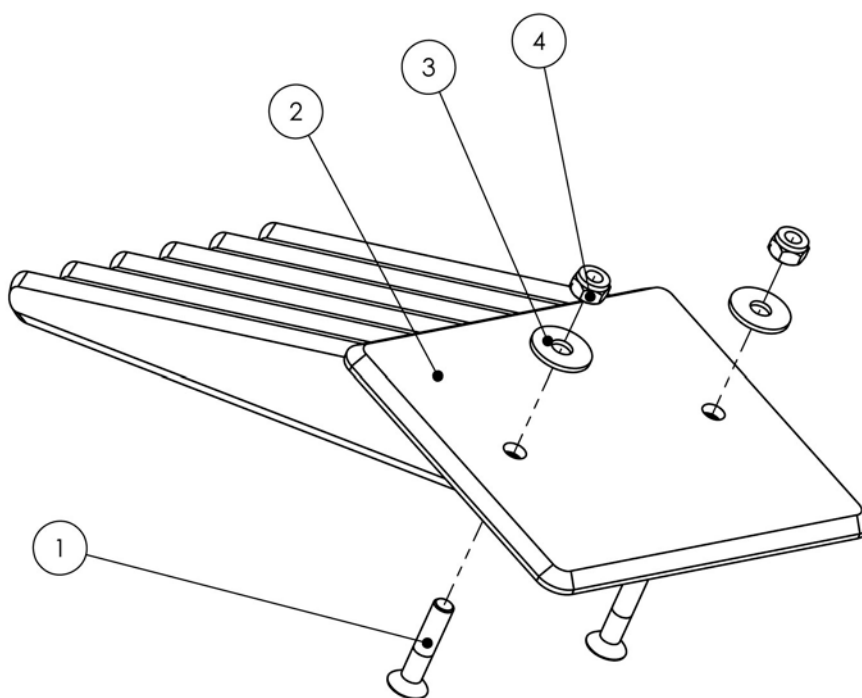
180F Steering nozzle

Pos.	Code	Name	Qty
1	R04100602	Hexagonal head screw M10	1
2	R11100002	Washer M10	2
3	H0301	Plastic washer	3
4	10028	A4 sleeve	1
5	10162	Steering nozzle 180	1
6	10053	Zinc anode	1
7	R01080202	Hexagonal socket head screw M8	1
8	R04100352	Hexagonal head screw M10	1
9	10026	A4 sleeve	1
10	R10100002	Washer M10	1
11	10025	A4 sleeve	1
12	R01100302	Hexagonal socket head screw M10	1
13	R31100000	Nyloc M10	1
14	RM10SEJR316	Eye joint	2
15	R30100002	Nut M10	2
16	10143	Joint sleeve	1
17	R01100402	Hexagonal socket head screw M10	1



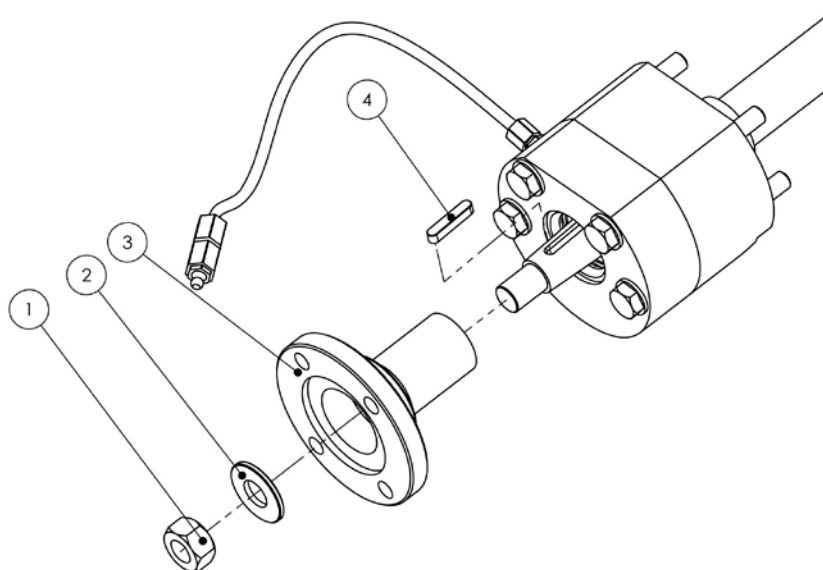
A. Intake screen

Pos.	Code	Name	Qty
1	R02080402	Hexagonal socket head screw M8	2
2	10171	Intake screen 180	1
3	R11080002	Washer M8	2
4	R31080002	Nyloc M8	2



B. Flange

Pos.	Code	Name	Qty
1	R30160002	Nut M16	1
2	R11361632	Washer	1
3	*	Flange	1
4	K0201	Key	1



***Flange is chosen according to intermediate shaft.**

Type	Code	Shaft
SAE-1310	10165	Cardan shaft
CV-joint 10	10191	CV-joint 10

By using adapter flange you can use other type of intermediate shaft.