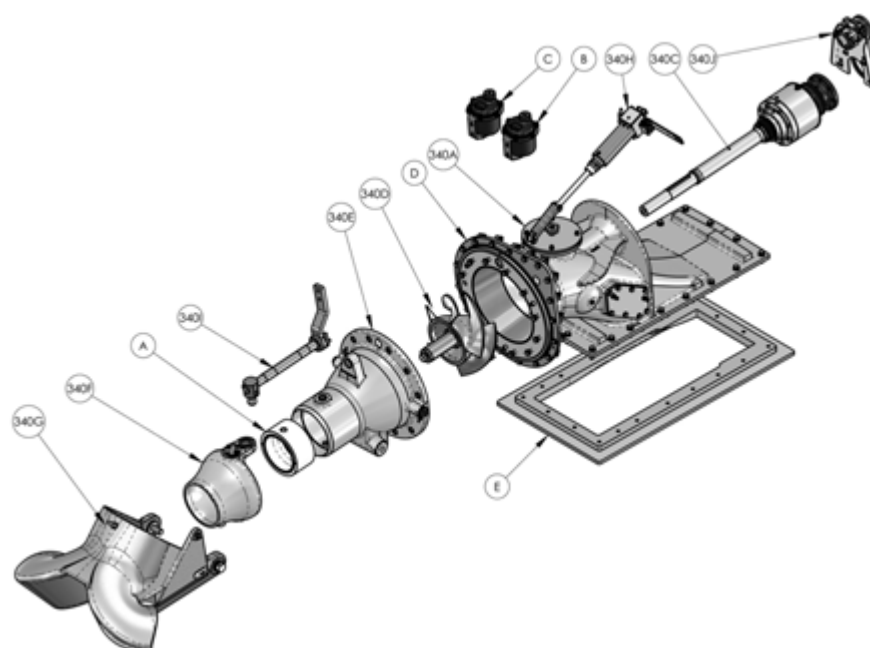


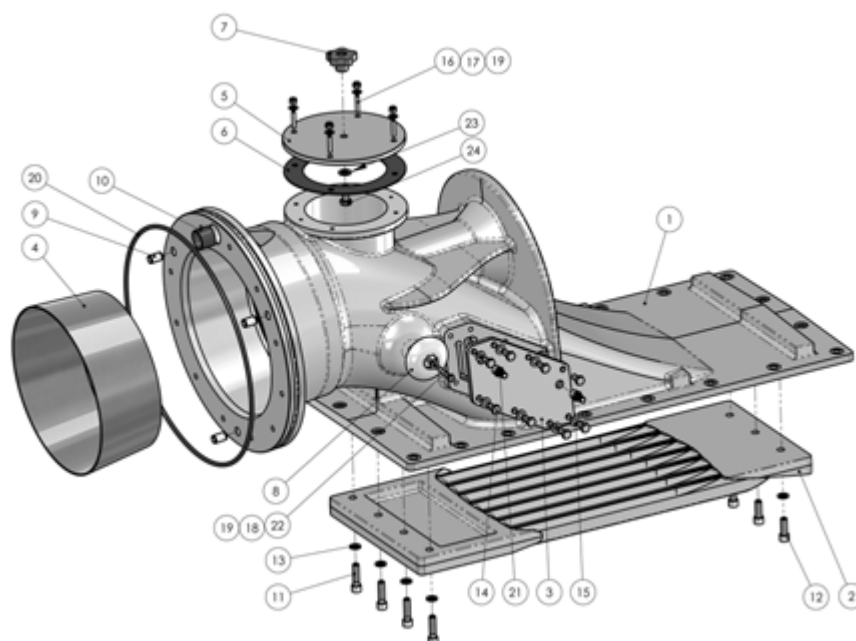
## 1. Main structure



No.	Name	Code	Pcs
1	Frame 340	340A	1
2	Bearing and main shaft	340C	1
3	Impeller 340	340D	1
4	Stator 340	340E	1
5	Steering nozzle 340	340F	1
6	Reversing deflector 340	340G	1
7	Hydraulic cylinder	340H	1
8	Hydraulic pump	340I	1
9	Steering lever	340J	1
A	Choker A/B/C	10910	1
B	Oil reservoir	10537	1
C	Oil reservoir	10610	1
D	Adapter	10994	1
E	Bottom adapter	10969	1



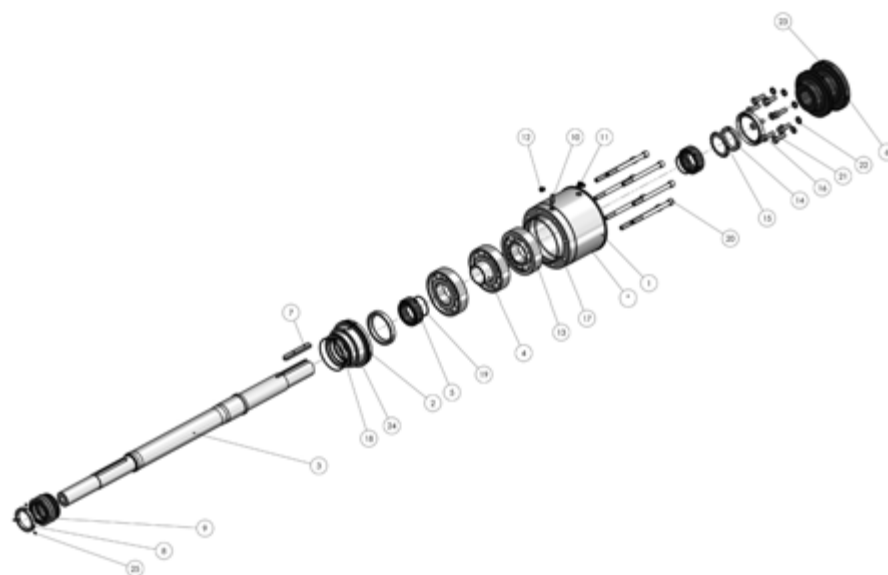
## 2. 340A Frame



No.	Name	Code	Pcs
1	Frame 340	10984	1
2	Grass rake	10967	1
3	Cooler cover	10986	1
4	Cone	10977	1
5	Inspection hatch cover	10992	1
6	Inspection hatch seal	10993	1
7	Hand wheel M12	K0601	1
8	Anode*	10985	2
9	Control peg	10578	3
10	Compound bearings	H0412	1
11	Socket screw M12	R01120452	4
12	Socket screw M12	R01120352	3
13	Spring washer M12	R13120002	7
14	Hex screw M10	R04100202	8
15	Base plate M10	R10100002	8
16	Clamping screw M8	R05080352	4
17	Locking nut M8	R31080002	6
18	Tooth spacer M8	R12080002	2
19	Base plate M8	R10080002	8
20	O-ring	T0000468	1
21	Hose shank	P0314	2
22	Hex screw M8	R04080502-1	2
23	Base plate M12	R10120002	1
24	Hex screw M12	R04120302	1

\* The anode is located inside the frame, moved outside for the exploded view.

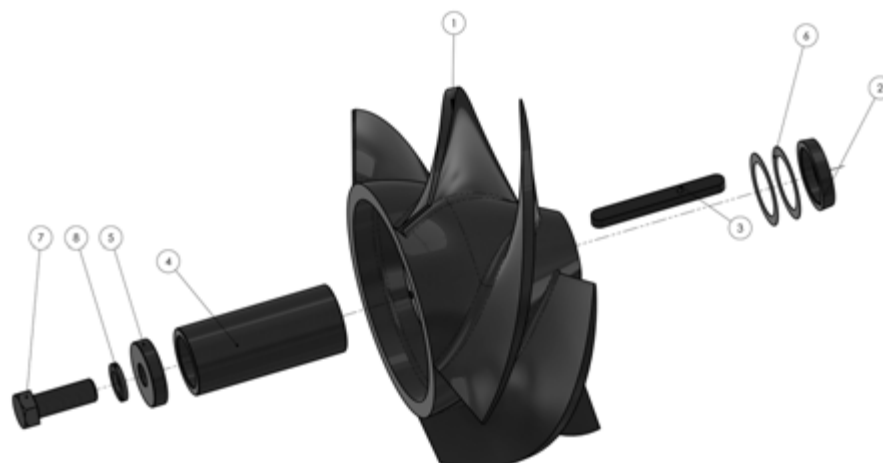
### 3. 288C Bearings and impeller shaft



No.	Name	Code	Pcs
1	Bearing housing	10955	1
2	Stuffing box	10959	1
3	Shaft	10961	1
4	Shaft sleeve	10872	1
5	Sleeve	10962	2
6	Coupling flange	10963	1
7	Parallel key	10877	1
8	Support ring	10965	1
9	Mechanical seal	T6000000	1
10	Hose shank	P0602	1
11	Elbow connector	P0504	1
12	Plug M12	P0375	1
13	Angular ball bearing	L0125	3
14	Spinner nut	L0211	1
15	Safety plate	L0311	1
16	Radial shaft seal	T8010513A	2
17	O-ring	T00000139	1
18	O-ring	T0000099	1
19	O-ring	T0000054	2
20	Socket screw	R01121502	8
21	Hex screw M12	R04120352	8
22	Spring washer M12	R13120002	8
23	Clamping screw M10	R05100162	1
24	Dowel pin	L0312	1
25	Clamping screw M6	R05060080	3



## 4. 340D Impeller 20-5

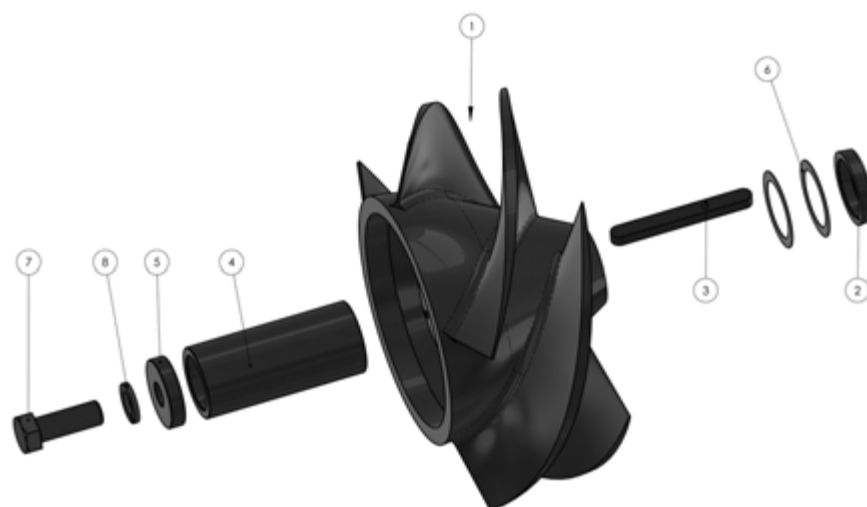


No.	Name	Code	Pcs
1	Impeller 20-5	11087	1
2	Spacer plate	10900	1
3	Parallel key	10905	1
4	Sleeve	10899	1
5	Spacer	10904	1
6	Shim washer	11058	2
7	Hex screw M20	R04200552	1
8	Spring washer M20	R13200002	1





## 5. 340D Impeller 19-5



No.	Name	Code	Pcs
1	Impeller 19-5	11086	1
2	Spacer plate	10900	1
3	Parallel key	10905	1
4	Sleeve	10899	1
5	Spacer	10904	1
6	Shim washer	11058	2
7	Hex screw M20	R04200552	1
8	Spring washer M20	R13200002	1



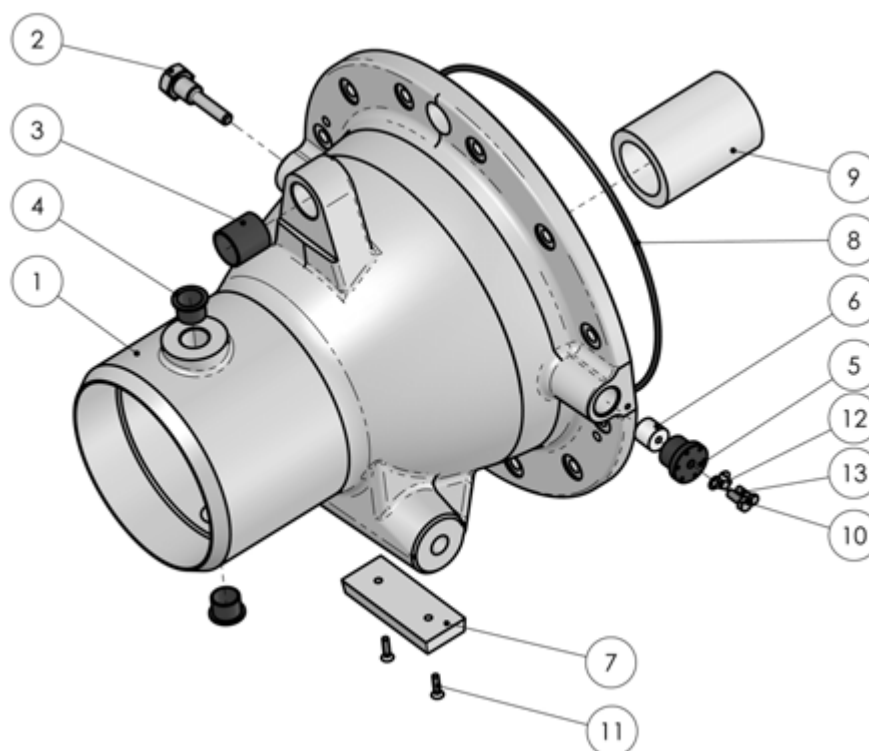
## 6. 340D Impeller 18-4



No.	Name	Code	Pcs
1	Impeller 18-4	11085	1
2	Spacer plate	10900	1
3	Parallel key	10905	1
4	Sleeve	10899	1
5	Spacer	10904	1
6	Shim washer	11058	2
7	Hex screw M20	R04200552	1
8	Spring washer M20	R13200002	1



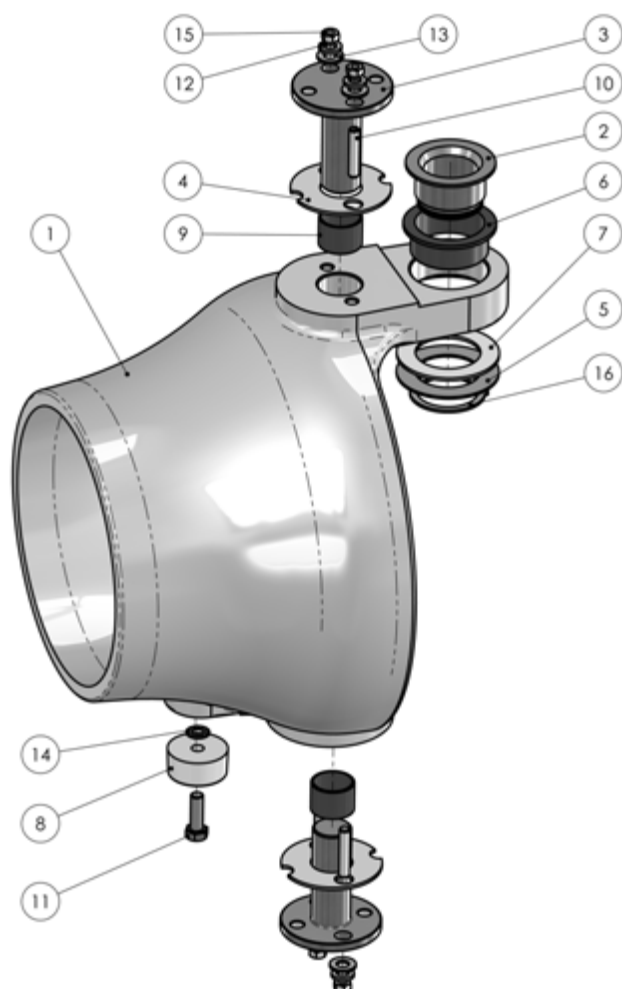
## 7. 340E Stator



No.	Name	Code	Pcs
1	Stator 340	10964	1
2	Screw	10897	1
3	Compound bearing	H0410	1
4	Compound bearing with flange	H0408	2
5	Anode plug	10764	1
6	Zinc anode	10854	1
7	Zinc anode	10990	1
8	O-ring	T0000355	1
9	Bushing	L0160	1
10	Hex screw M8	R04080202	1
11	Socket screw M6	R02060252	2
12	Zinc lead	10470	1
13	Hex screw M6	R04060202	1



## 8. 340F Steering nozzle

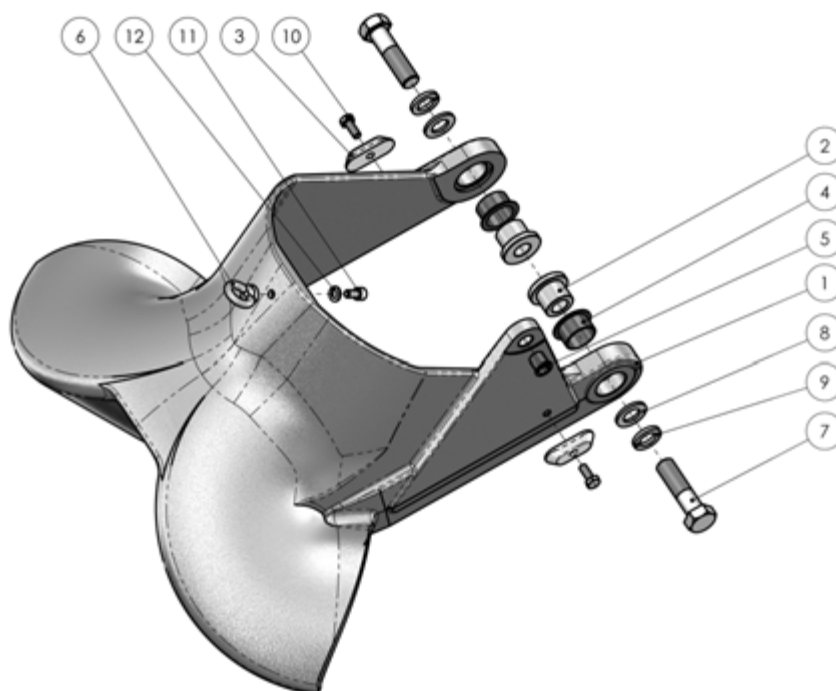


No.	Name	Code	Pcs
1	Steering nozzle 340	10983	1
2	Sleeve	10889	1
3	Spindle	10892	2
4	Seal	10893	2
5	Spacer	10896	1
6	Bushing	10972	1
7	Spacer	11033	1
8	Anode	10409	1
9	Compound bearing	H0407	2
10	Clamping screw M8	R05080352	4
11	Hex screw	R04080252	1
12	Spring washer M8	R13080002	4
13	Base plate M8	R10080002	4
14	Tooth spacer M8	R12080002	1
15	Hex nut M6	R30060002	4
16	Retainer ring	L0408	1





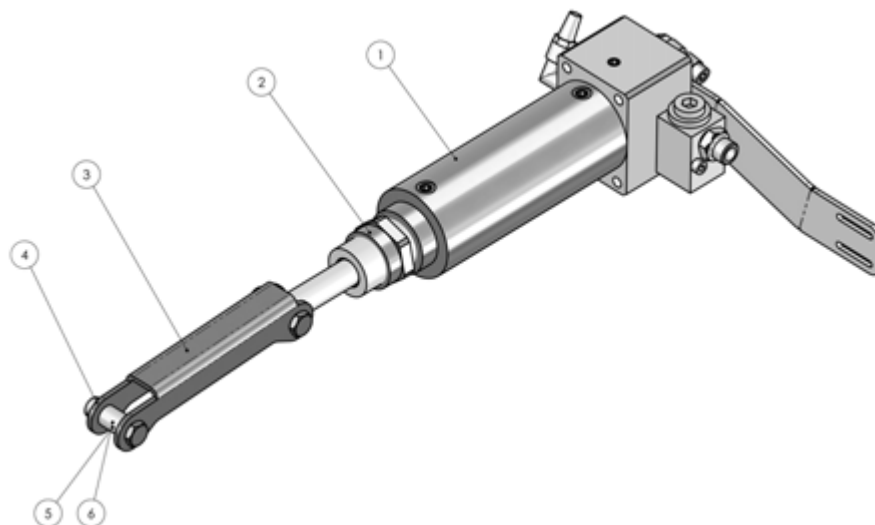
## 9. 340G Reversing deflector



No.	Name	Code	Pcs
1	Reversing deflector 340	10998	1
2	Sleeve	10890	2
3	Zinc anode	10053	2
4	Compound bearing with flange	H0413	2
5	Compound bearing with flange	H0406	1
6	Lifting loop M10	R60100002	1
7	Hex screw M24	R04240902	2
8	Base plate M24	R10240002	2
9	Spring washer M24	R13240002	2
10	Hex screw M10	R04100252	2
11	Socket screw M10	R01100202	1
12	Base plate M10	R1010000	1



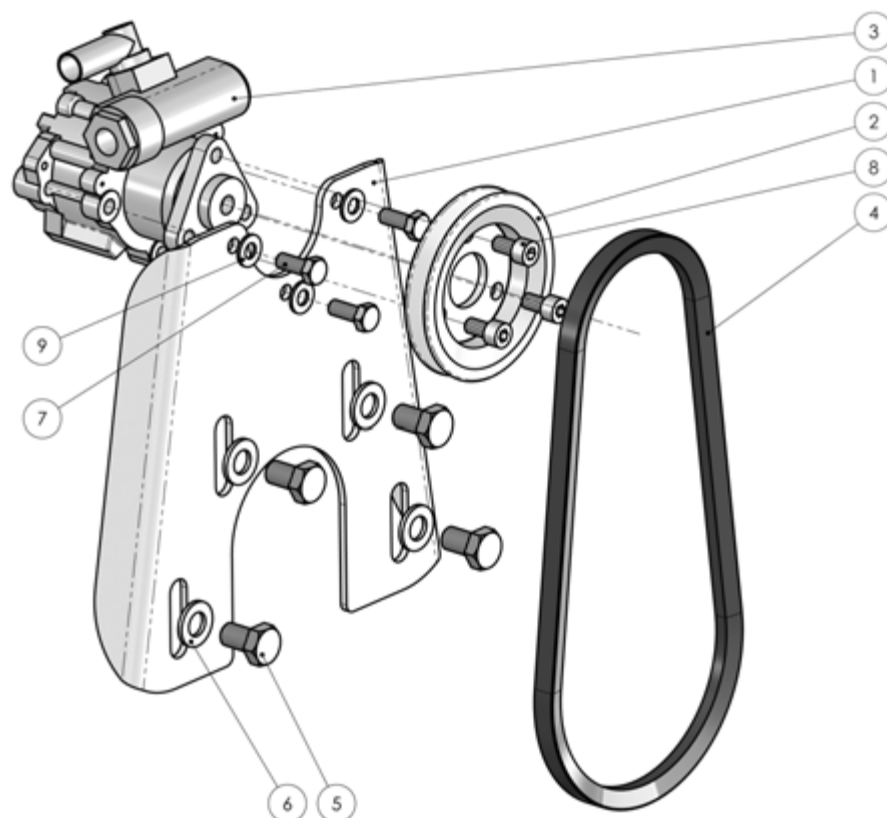
## 10. 340H Hydraulic cylinder



No.	Name	Code	Pcs
1	Hydraulic cylinder	10295	1
2	Nut	10812	1
3	Connecting rod straight	10980	1
4	Locking nut M10	R31100002	2
5	A4 sleeve	10027	1
6	Joint screw	10436	2



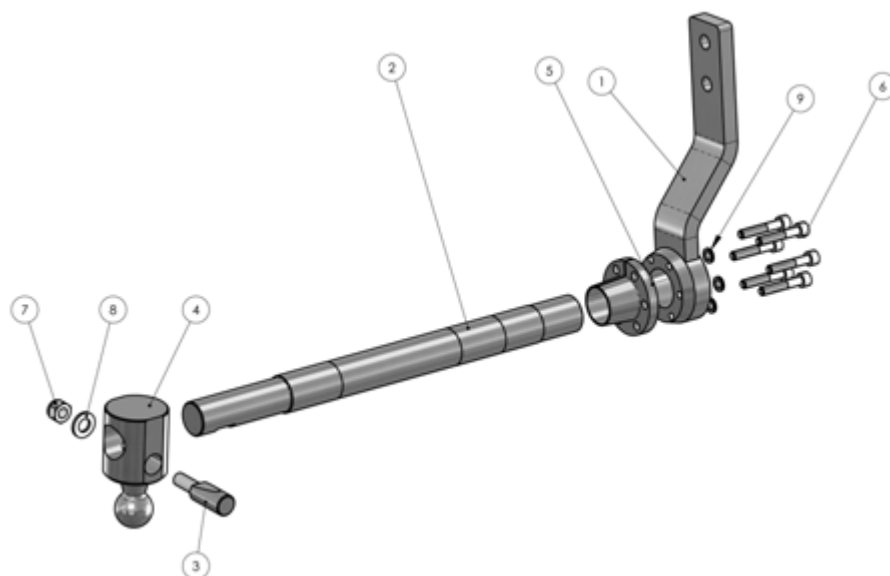
## 11. 340I Hydraulic pump



No.	Name	Code	Pcs
1	Oil pump rack	10978	1
2	Belt pulley	10093	1
3	Hydraulic pump	5715	1
4	Wedge belt	5720	1
5	Hex screw M12	R04120202	4
6	Base plate M12	R10120002	4
7	Hex screw M8	R04080202	3
8	Socket screw M8	R01080162	3
9	Base plate M8	R10080002	3



## 12. 340J Steering lever

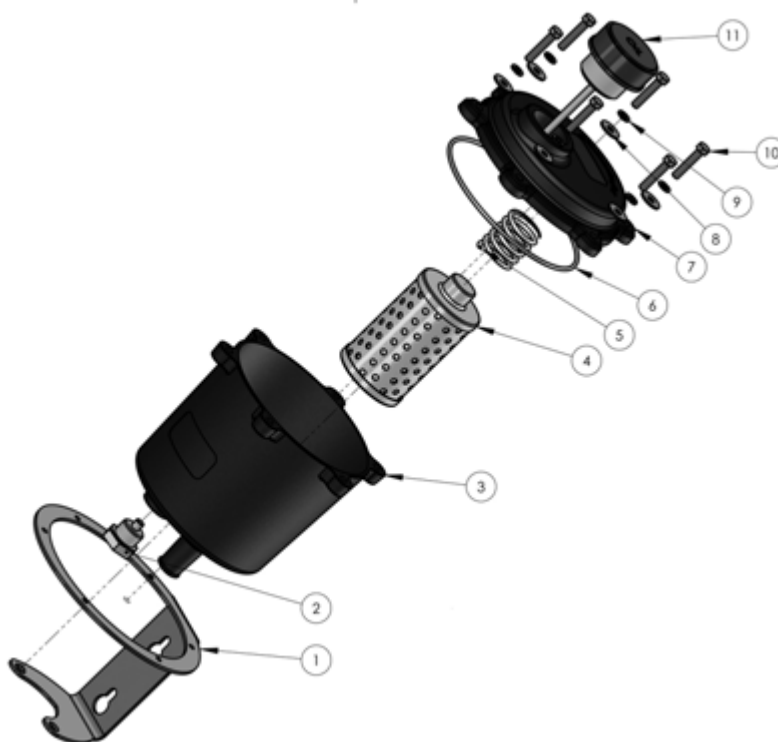


No.	Name	Code	Pcs
1	Shaft	10973	1
2	Steering shaft	10970	1
3	Dowel	10901	1
4	Shaft	10902	1
5	Cone sleeve inner ring	10976	1
6	Socket screw M8	R01080452	6
7	Locking nut M12	R31120002	1
8	Base plate M12	R10120002	1
9	Nord-Lock M8	R16080002	6





## 13. B Oil reservoir 10537



No.	Name	Code	Pcs
1	Oil reservoir rack	10543	1
2	Magnetic plug	P0346	1
3	Oil reservoir	10535	1
4	Oil filter	10560	1
5	Spring	K0703	1
6	O-ring	T0000124	1
7	Oil reservoir cover	10536	1
8	Body spacer M5	R11050002	6
9	Spring washer M5	R13050002	6
10	Hex screw M5	R04050252	6
11	Oil reservoir cap	P0345	1



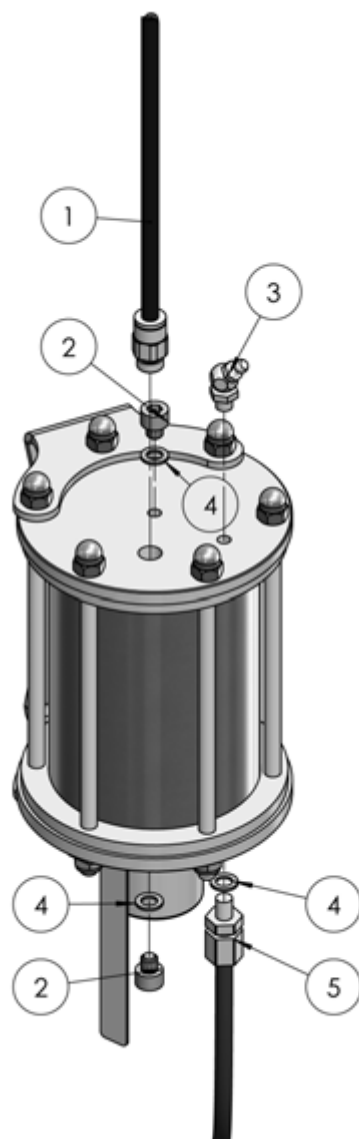
## 14. C Oil reservoir 10610



No.	Name	Code	Pcs
1	Oil reservoir rack	10543	1
2	Magnetic plug	P0346	1
3	Oil reservoir	10535	1
4	O-ring	T0000124	1
5	Oil reservoir cover	10536	1
6	Body spacer M5	R11050002	6
7	Spring washer M5	R13050002	6
8	Hex screw M5	R04050252	6
9	Oil reservoir cap	P0345	1



## 15. Automatic lubrication unit



No.	Name	Code	Pcs
1	Lubrication hose	P9905	1
2	Socket screw M6x6	R01060062	2
3	Grease nipple M6 45 degree	P0404	1
4	Copper seal	P0355	3
5	Automatic lubrication unit pressure hose	P9906	1

